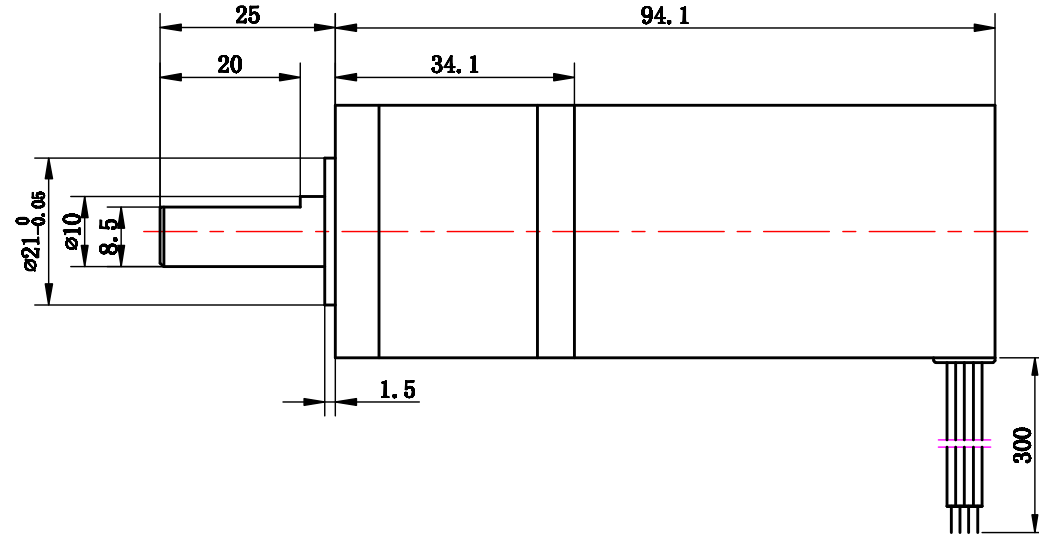
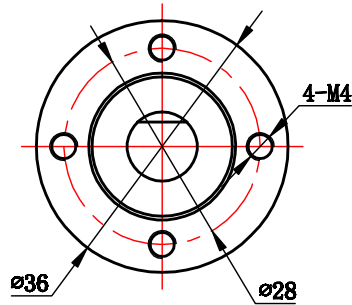
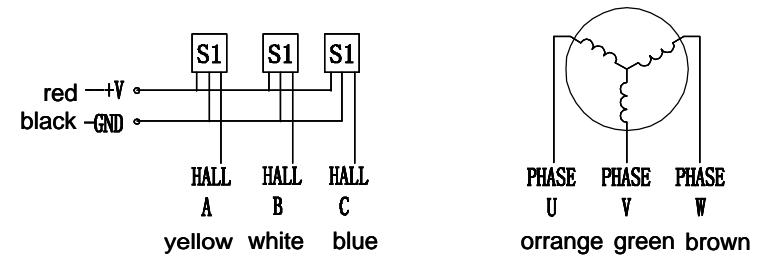


EL36BL-2418432-01A




Motor performance data:

model	phase	rated voltage	rated speed	rated power	rated torque	gear ratio
		VDC	rpm	W	N.m	
EL36BL-2418432-01A	3	24	4300	18	0.17	1:4.75



Hall leadwire:
UL1007 26AWG 300mm

Winding leadwire:
UL1007 22AWG 300mm

Project No.:	Part No.:	Material	REV
	EL36BL-2418432-01A		1
Description:		Scale	
BLDC Gear Motor		Design:	
 www.elmeq.com		Approve:	

This drawing and its contents are the property of ELMEQ and must not be copied, reproduced, transmitted or disclosed to any third party without written consent of ELMEQ