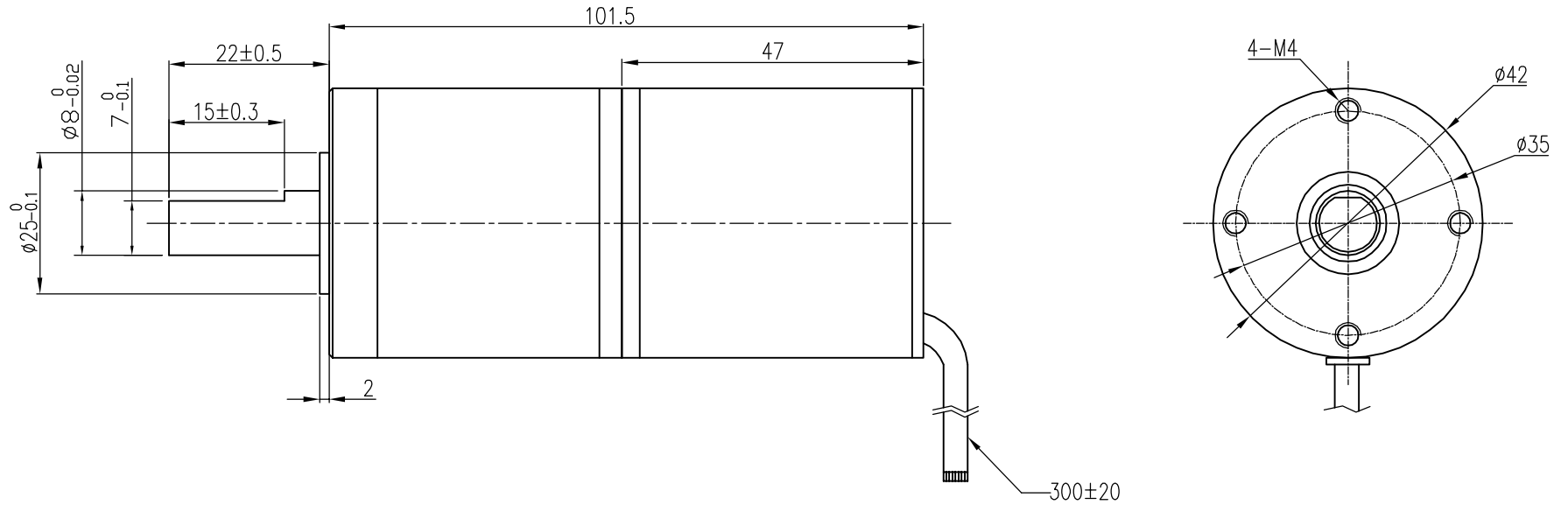
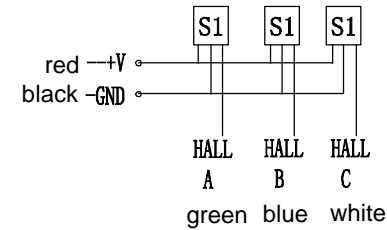


EL42BLY-2414282-001A

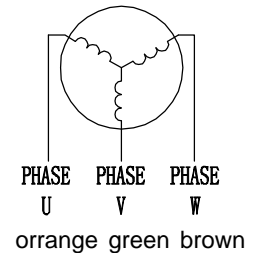


Motor performance:


model	phase	rated volgage	no load current	no load speed	rated speed	rated power	rated current
		VDC	A	RPM	RPM	W	A
EL42BLY-2414282-001A	3	24	0.3	4100	3250	15	1.0
After gearbox	gear ratio	transmission efficiency	rated torque	output speed			
	1:32.5	73%	1.04 N.m	100 RPM			



Hall leadwire:  
UL1007 26AWG 300mm



Winding leadwire:  
UL1007 22AWG 300mm

Project No.:	Part No.:	Material	REV
	EL42BLY-2414282-001A		2
Description:		Scale	
BLDC gear motor		Design:	
 <a href="http://www.elmeq.com">www.elmeq.com</a>		Approve:	

This drawing and its contents are the property of ELMEQ and must not be copied, reproduced, transmitted or disclosed to any third party without written consent of ELMEQ