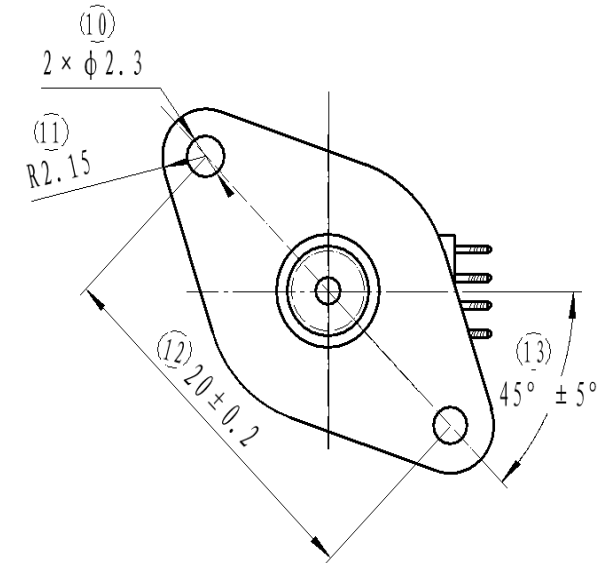
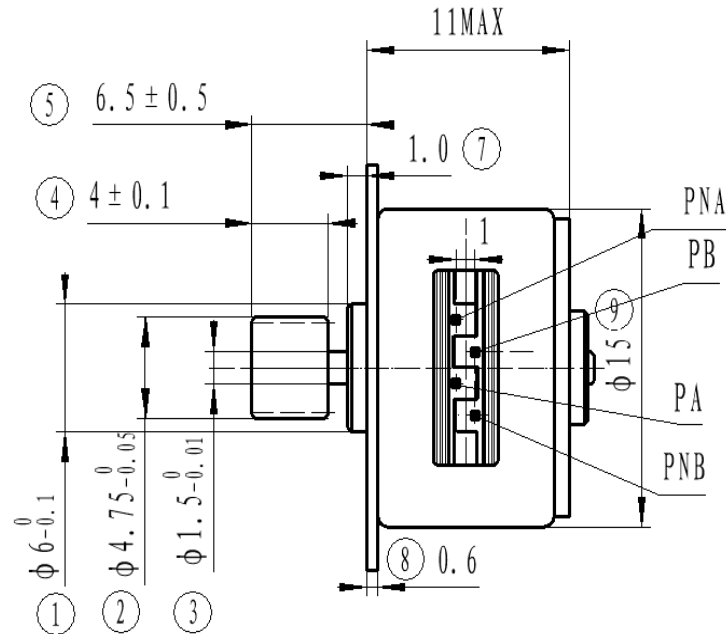


Voltage	5 VDC
Resistance/phase at 25°C	10Ω ±10%
Step angle (2-2 exciting)	18
Phase	2
Exciting	2-2
Detent torque (No excitation)	5 gf.cm
Pull in torque (200pps)	5 gf.cm
Holding torque	20 gf.cm
No load pull in frequency	1000 PPS
No load pull out frequency	2000 PPS
Insulation resistance (DC 500V)	≥100 MΩ
Working temperature	-10 to 50°C
Dielectric strength (600VAC, 1mA, 1s)	No breakdown No flashover

Rev	Modify details	Modified by/date
A		



Project No.:	Part No.:	Material	REV
	ELPM1511-01		A
Description:		Weight	Scale
PM MOTOR			
		Design:	
		Approve:	



This drawing and its contents are the property of ELMEQ and must not be copied, reproduced, transmitted or disclosed to any third party without written consent of ELMEQ.