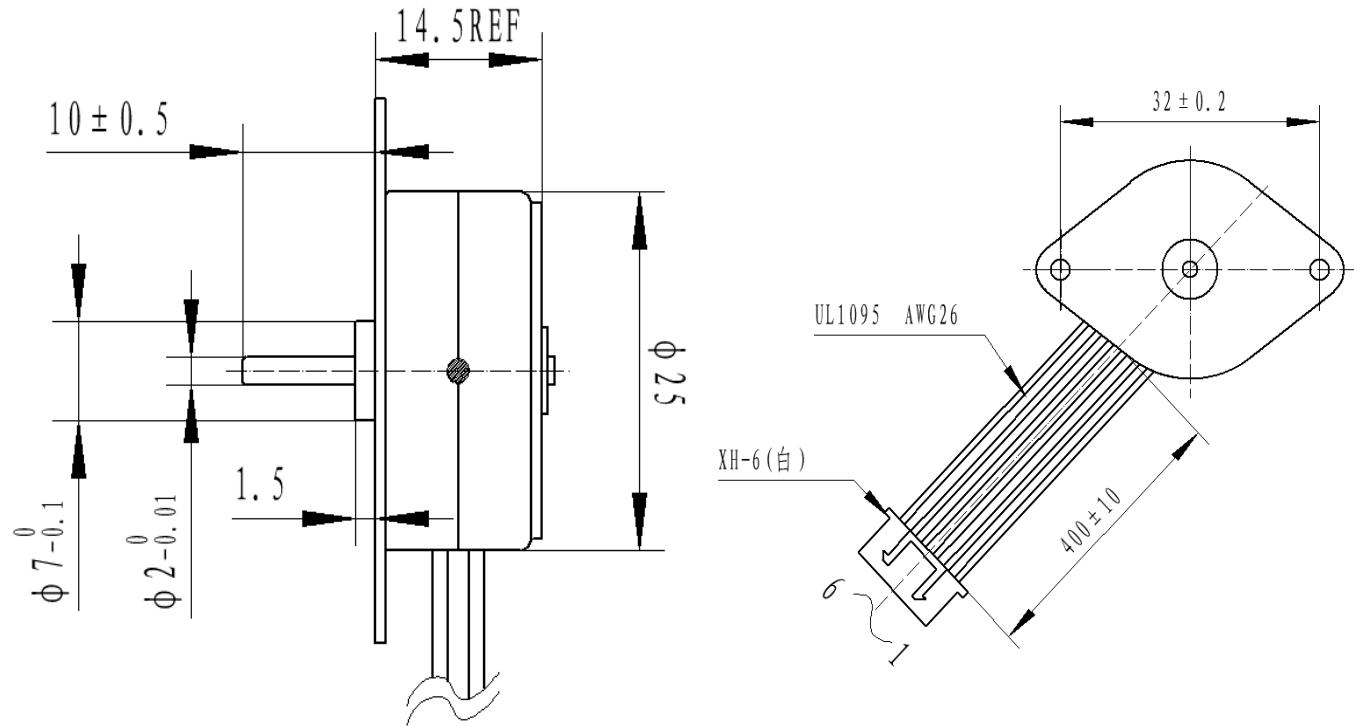



Type	ELPM2515-01	ELPM2515-02
Voltage	6.5 VDC	6.5 VDC
Resistance/phase at 25 °C	5Ω ±10%	10Ω ±10%
Step angle (2-2 exciting)	15	7.5
Phase	2	2
Exciting	2-2	2-2
Detent torque (No excitation)	50 gf.cm	40 gf.cm
Pull in torque (200pps)	40 gf.cm	70 gf.cm
Holding torque	200 gf.cm	180 gf.cm
No load pull in frequency	500 PPS	800 PPS
No load pull out frequency	1200PPS	850 PPS
Insulation resistance (DC 500V)	≥100 MΩ	≥100 MΩ
Working temperature	-10 to 50°C	-10 to 50°C
Dielectric strength (600VAC, 1mA, 1s)	No breakdown No flashover	No breakdown No flashover

Rev	Modify details	Modified by/date
A		



Project No.:	Part No.:	Material	REV
	ELPM2515		A
Description:		Weight	Scale
PM Motor			
		Design:	
		Approve:	
ELMEQ www.elmeq.com			

 Tish drawing and its contents are the property of ELMEQ and must not be copied, reproduced, transmitted or disclosed to any third party without written consent of ELMEQ.