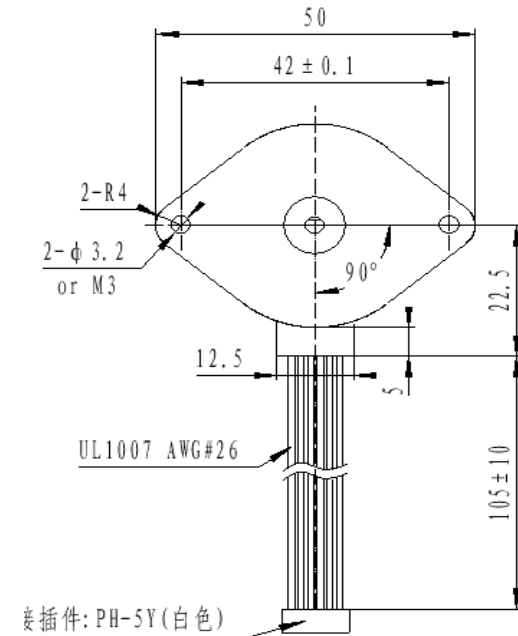
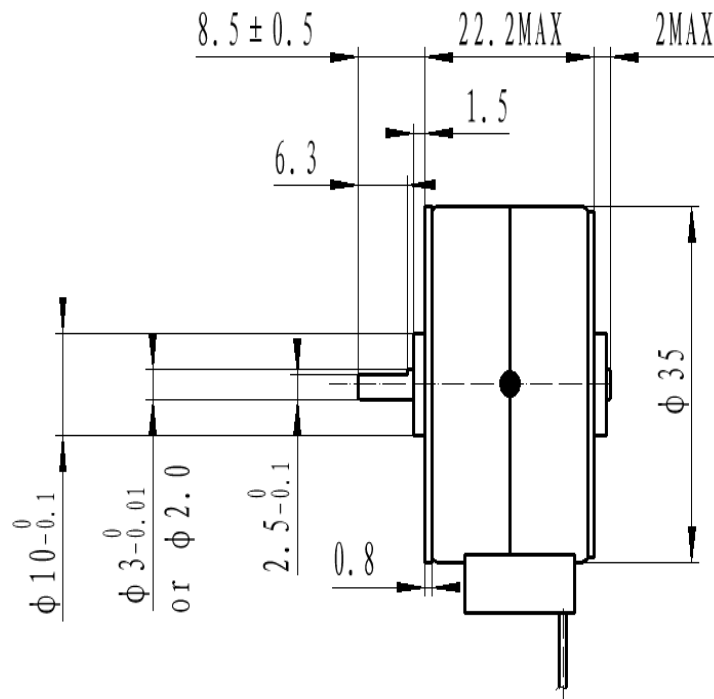


Type	ELPM3522-01	ELPM3522-02
Voltage	5 VDC	12 VDC
Resistance/phase at 25 °C	13Ω ±10%	30Ω ±10%
Step angle (2-2 exciting)	7.5	7.5
Phase	2	2
Exciting	2-2	2-2
Detent torque (No excitation)	110 gf.cm	110 gf.cm
Pull in torque (200pps)	100 gf.cm	180 gf.cm
Holding torque	550 gf.cm	600 gf.cm
No load pull in frequency	320 PPS	350 PPS
No load pull out frequency	350 PPS	400 PPS
Insulation resistance (DC 500V)	≥100 MΩ	≥100 MΩ
Working temperature	-10 to 50°C	-10 to 50°C
Dielectric strength (600VAC, 1mA, 1s)	No breakdown No flashover	No breakdown No flashover

Rev	Modify details	Modified by/date
A		



Project No.:	Part No.:	Material	REV
	ELPM3522		A
Description:		Weight	Scale
PM Motor		Design:	
ELMEQ <a href="http://www.elmeq.com">www.elmeq.com</a>		Approve:	



This drawing and its contents are the property of ELMEQ and must not be copied, reproduced, transmitted or disclosed to any third party without written consent of ELMEQ.