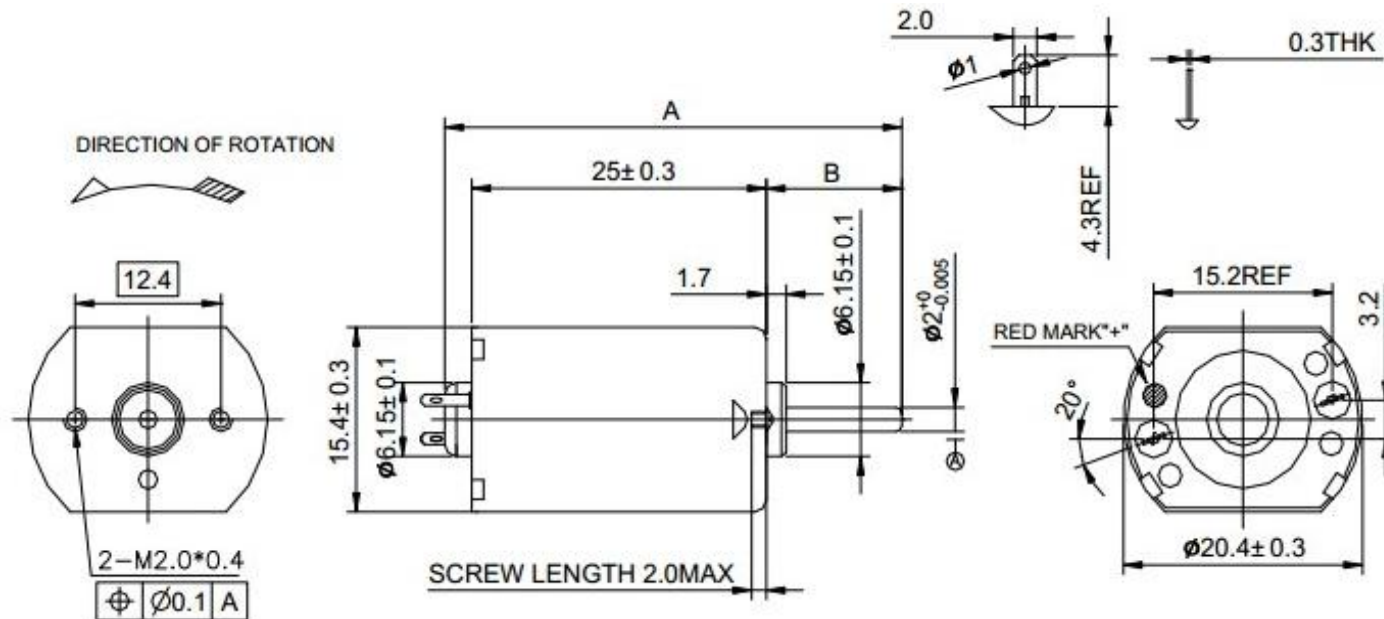



Rev	Modify details	Modified by/date

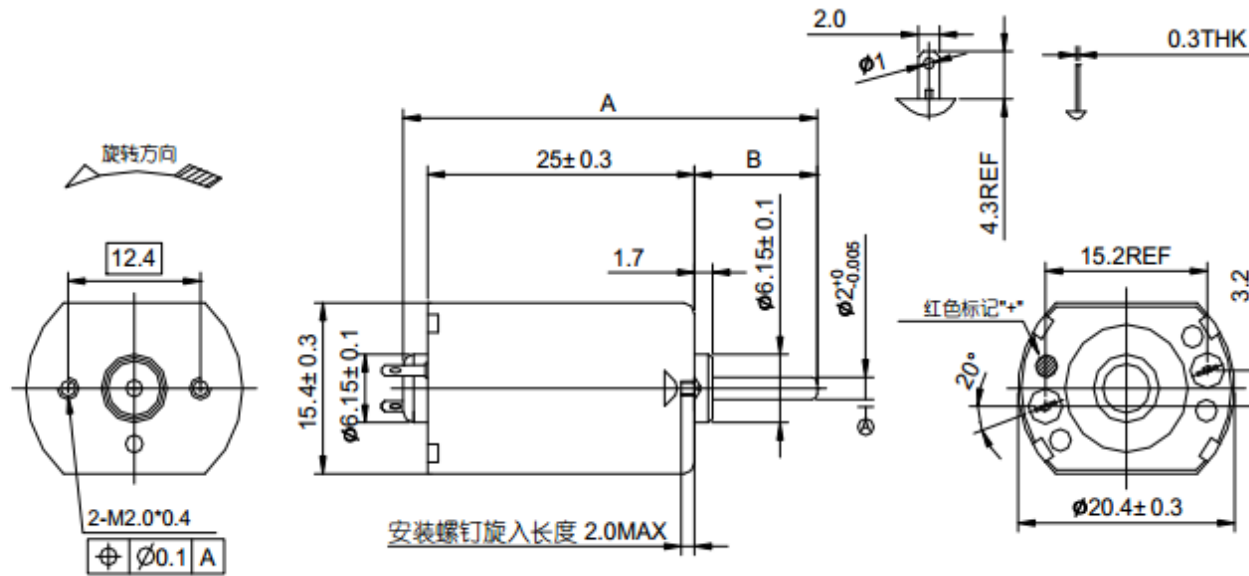


Model	Nominal Voltage	No Load		At maximum efficiency					At stall	
		Speed r/min	Current A	Speed r/min	Current A	Torque mNm	Output W	Eff %	Current A	Torque mNm
ELDC130FCM-12D13200-1	12VDC	13,200	0.1	10,879	0.39	2	2.18	46.58	1.5	11.37
ELDC130FCM-3D24000-1	3VDC	24,000	0.76	19,909	3.7	3.41	7.11	64.1	18	20.01
ELDC130FCM-12D24700-1	12VDC	24,700	0.18	20,758	0.95	3.49	7.59	66.5	5.01	21.87
ELDC130FCM-3D26500-1	3VDC	26,500	1.11	21,442	4.71	3.65	8.2	58	20	19.12

Project No.:	Part No.:	Material	REV
	ELDC130FCM		A
Description:		Weight	Scale
DC brush Motor			
		Design:	
		Approve:	

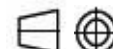
 This drawing and its contents are the property of ELMEQ and must not be copied, reproduced, transmitted or disclosed to any third party without written consent of ELMEQ.

Rev	Modify details	Modified by/date



Model	Nominal Voltage	No Load		At maximum efficiency					At stall	
		Speed	Current	Speed	Current	Torque	Output	Eff	Current	Torque
		r/min	A	r/min	A	mNm	W	%	A	mNm
ELDC130FMM-1.5D4500-1	1.5VDC	4,500	0.14	3,445	0.46	0.92	0.33	48.3	1.5	3.92
ELDC130FMM-12D7600-1	12VDC	7,600	0.03	6,115	0.12	1.38	0.88	59.4	0.51	7.06
ELDC130FMM-4.8D7800-1	4.8VDC	7,800	0.07	6,542	0.37	1.74	1.19	68	1.9	10.79
ELDC130FMM-3D12800-1	3VDC	12,800	0.24	10,494	1.09	1.8	1.98	60.4	4.97	10

Project No.:	Part No.:	Material	REV
	ELDC130FMM		A
Description:		Weight	Scale
DC brush Motor			
		Design:	
ELMEQ www.elmeq.com		Approve:	

 This drawing and its contents are the property of ELMEQ and must not be copied, reproduced, transmitted or disclosed to any third party without written consent of ELMEQ.