

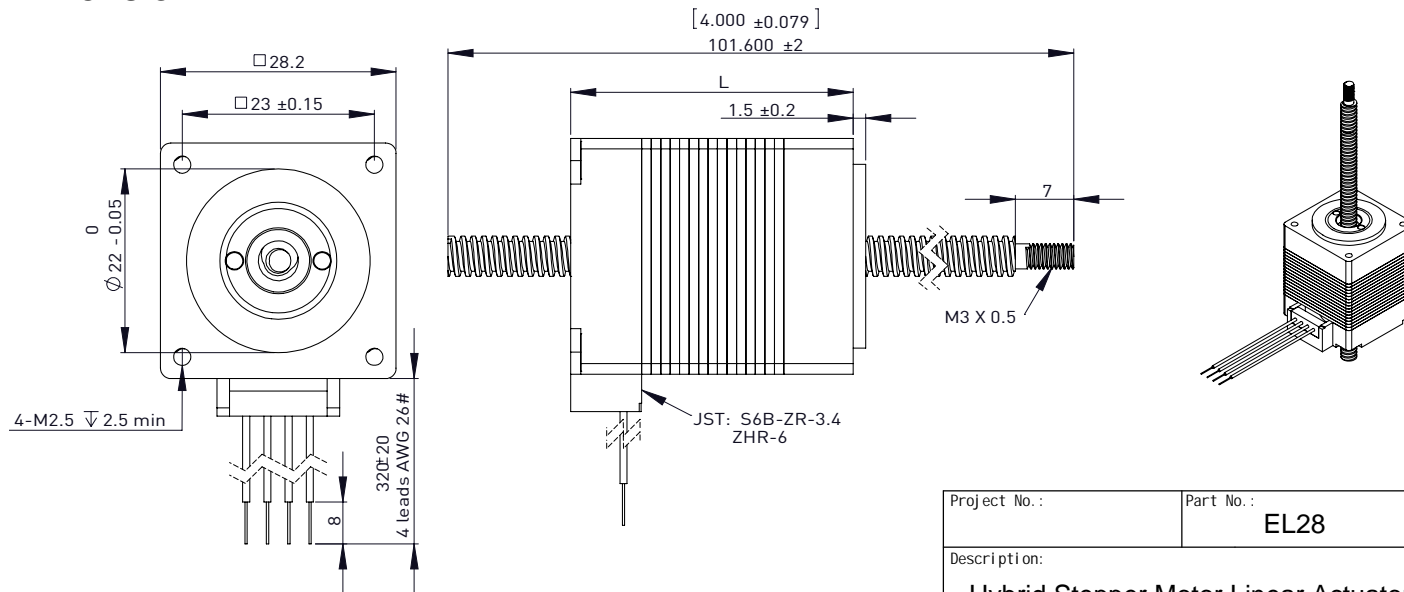
Motor Characteristics

Motor Type	Voltage (V)	Current (A)	Resistance ()	Inductance (mH)	Lead Wire No.	Motor Length (mm)
EL28-2034	4.5	0.5	9.1	6.0	4	34
EL28-2045	3.9	0.95	4.1	4.0	4	45

Available Lead Screws and Travel per Step

Screw Dia. (inch)	Screw Dia. (mm)	Lead (inch)	Lead (mm)	Travel Per Step (mm)
0.188	4.7752	0.025	0.635	0.0032
0.188	4.7752	0.05	1.27	0.0063
0.188	4.7752	0.1	2.54	0.0127
0.188	4.7752	0.2	5.08	0.0254
0.188	4.7752	0.4	10.16	0.0508

Dimension



Available travel per step from 0.003175 mm to 0.0508 mm

Project No.:	Part No.:	Material	REV
	EL28		Scale
Description:		Design:	
Hybrid Stepper Motor Linear Actuators			
 www.elmeq.com		Approve:	

This drawing and its contents are the property of ELMEQ and must not be copied, reproduced, transmitted or disclosed to any third party without written consent of ELMEQ