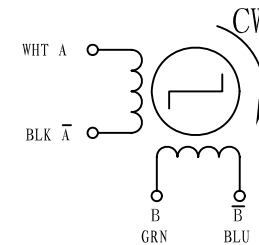
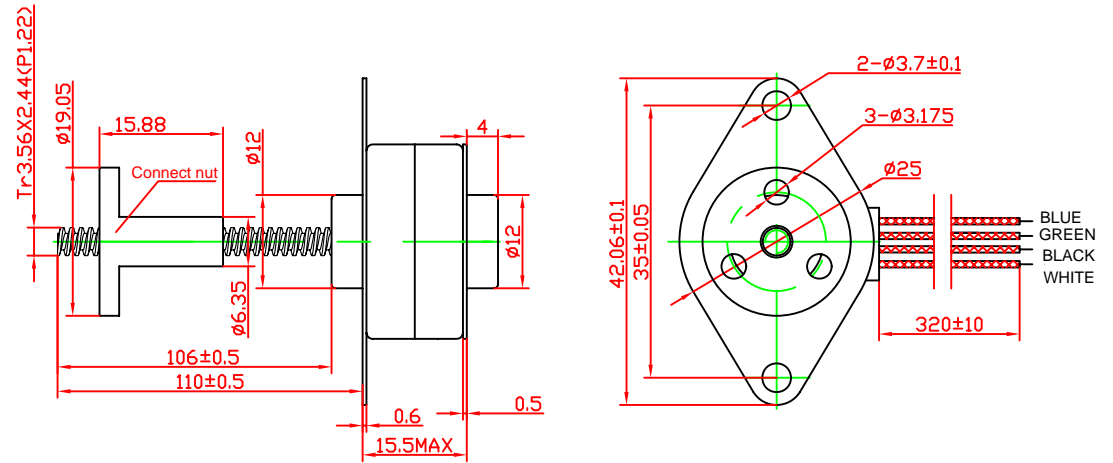



NO.	项目 Item	规格 Specification	条件 Condition
1	分配方式 Excitation	2-2	
2	额定电压 Rated Voltage	5V	
3	相数 No. of Phase	2	
4	每步转角 Step Angle	15°	
5	每转步数 No. of Step Per Revolution	24	
6	相电阻 Resistance Per Phase	14.7 ± 10% Ω	At 20°C
7	电感 Inductance Per Phase	5.5 ± 20% mH	At 1KHz (Ref)
8	相电流 Current Per Phase	0.143A	
9	保持转矩 Holding Torque	120g. cm	
10	牵入起动频率 Pull-in Rate	450pps	
11	起动转矩 Pull-in Torque	25g. cm	At 100pps
12	绝缘电阻 Insulation Resistance	100M Ω MIN	At DC 500V
13	介电强度 Dielectric Strength	RMS for 2 Sec	At AC 650 ± 50V
14	工作温度 Operating Temp Range	-10°C ~ 40°C	
15	贮存温度 Storang Temp Range	-30°C ~ 80°C	
16	定位力矩 Detent Torque	< 45g. cm	
17	转动惯量 Rotor Inertia	< 1.0g. cm <sup>2</sup>	
18	步距角精度 Stepping Accuracy	15° ± 7%	
19	使用寿命 Life	3000h MIN	At 20°C 100pps
20	引出线规格 Lead Wrie	UL1061 28#	
21	重量 Weight	42g	
22	绝缘等级 Insulation Class	Class E	



Pin No.	WIRE COLOR	STEP			
		1	2	3	4
1	白 WHT	-			-
2	黑 BLK		-		
3	绿 GRN			-	
4	蓝 BLU				-
5					
6					

Project No.:	Part No.:	Material	REV
	EL25CZU24-03		1
Description:		Scale	
Stepper Motor Linear Actuator		Desi gn:	
 <a href="http://www.elmeq.com">www.elmeq.com</a>		Approve:	

This drawing and its contents are the property of ELMEQ and must not be copied, reproduced, transmitted or disclosed to any third party without written consent of ELMEQ