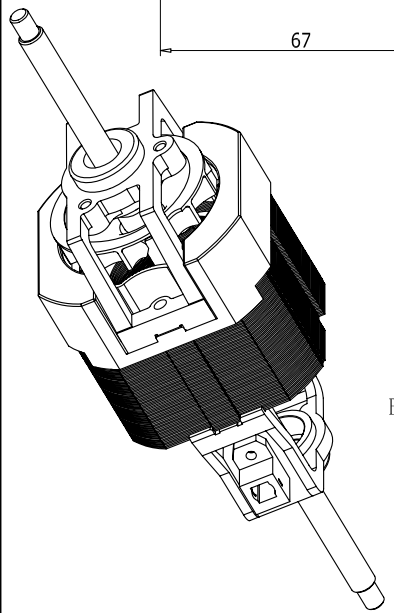
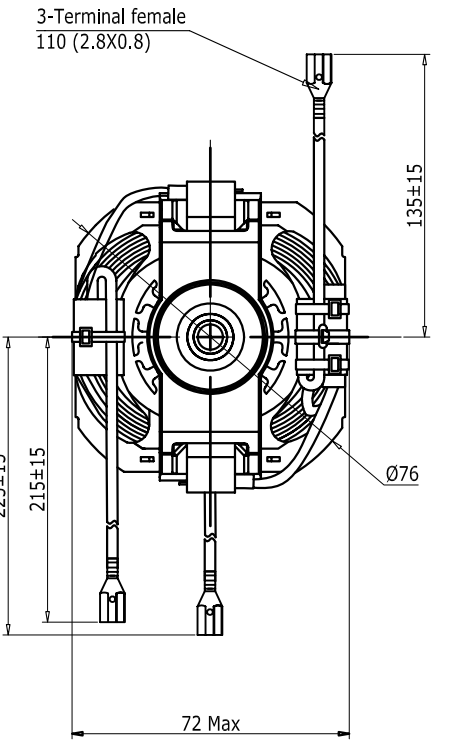
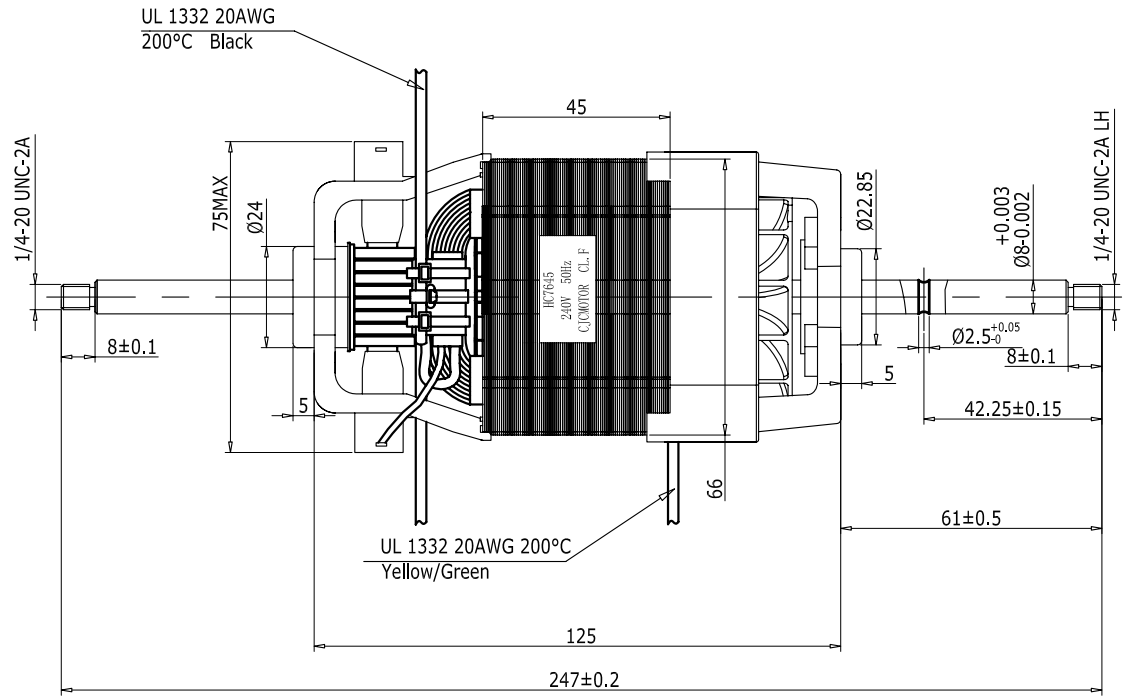
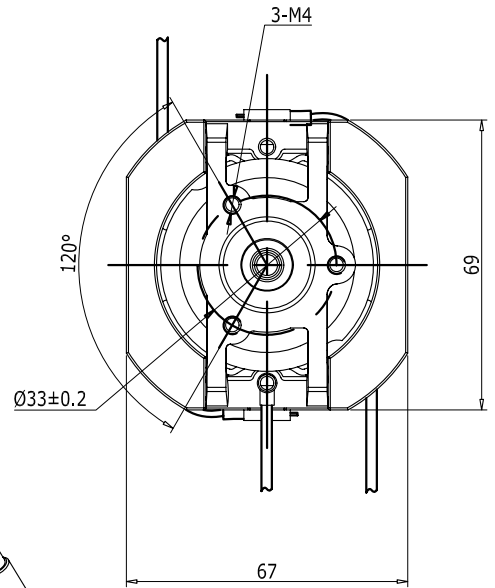


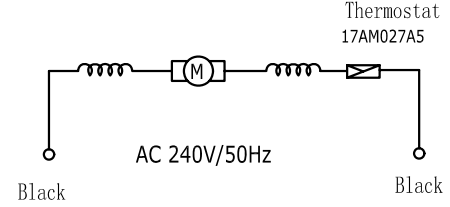
REV	DESCRIPTION	DATE	BY
A	FIRST ISSUE		

## Rohs Compliance

Rotation  
(CW)



CIRCUIT DIAGRAM



**NOTES:**

1. 240V 50Hz AC UNIVERSIAL Motor, CLOCK-WISE SHAFT ROTATION.
2. INSULATION CLASSIFICATION :CLASS "F".
3. FREED LOAD:  
CURRENT 0.35±10%A; INPUT POWER 85±10%W SPEED 16500±10%RPM.
4. MOTOR SHAFT MATERIAL TO BE STAINLESS STEEL 303.

LABEL CONTENT

GENERAL TOLERANCES ISO 2768-m						
Permissible deviations for linear dimensions						
Permissible deviations for basic size range						
	>0.5 ...3	>3 ...6	>6 ...30	>30 ...120	>120 ...400	>400 ...1000 ...2000 ...4000
m	±0.1	±0.1	±0.2	±0.3	±0.5	±0.8 ±1.2 ±2
Permissible deviations for angular dimensions				Permissible deviations for broken edges (external radii chamfer heights)		
Permissible deviations for ranges of lengths in millimeters of the shorter side of the angle concerned				Permissible deviations for basic size range		
	...10	>10 ...50	>50 ...120	>120 ...400	>0.5 ...3	>3 ...6
m	±1°	±0°30'	±0°20'	±0°10'	±0°5'	±0.5 ±1

Project No. : <b>Project 1353</b>	Part No. : <b>ELDHD-ID7645N240</b>	Material	REV <b>1</b>
Description: <b>Universal motor</b>		Design:	Scale
<a href="http://www.elmeq.com">www.elmeq.com</a>		✓	
		Approve:	
This drawing and its contents are the property of ELMEQ and must not be copied, reproduced, transmitted or disclosed to any third party without written consent of ELMEQ.			