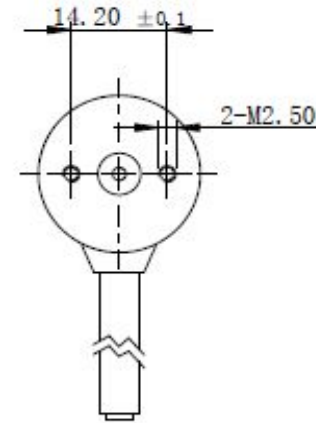
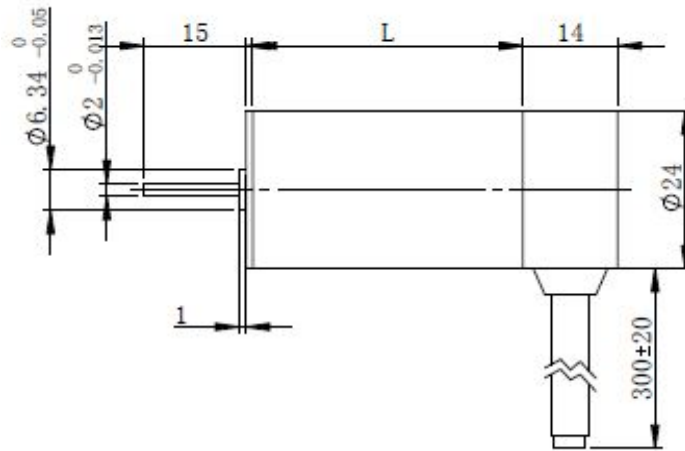


Rev	Modify details	Modified by/date




Specification:

Model		EL24RBL 53-01	EL24RBL 53-02	EL24RBL 53-03	EL24RBL 53-04
Number of phase		3			
Rated voltage	VDC	24	24	24	12
Rated speed	RPM	2800	5000	4000	3000
Rated torque	mN.m	8.5	9.55	8.6	4.78
Rotor power	W	2.5	5	3.6	1.5
Body length	mm	53	53	53	53
Weight	Kg	0.08	0.08	0.08	0.08

General specification:

Item	Specifications
Winding type	Star/Delta
Hall effect angle	120 degree electrical angle
Shaft run out	0.025mm
Radial play	0.06mm@450g
End play	0.08mm@450g
Max. radial force	10N@10mm from the flange
Max. axial force	2N
Insulation class	Class B
Dielectric strength	500VAC for one minute
Insulation resistance	100MΩ/Min.500VDC

Project No.:	Part No.:	Material	REV
	EL24RBL DC		A
Description:		Weight	Scale
DC Brushless Motor		Design:	
 www.elmeq.com		Approve:	



This drawing and its contents are the property of ELMEQ and must not be copied, reproduced, transmitted or disclosed to any third party without written consent of ELMEQ