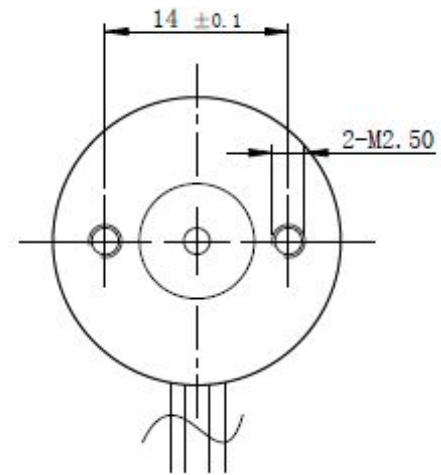
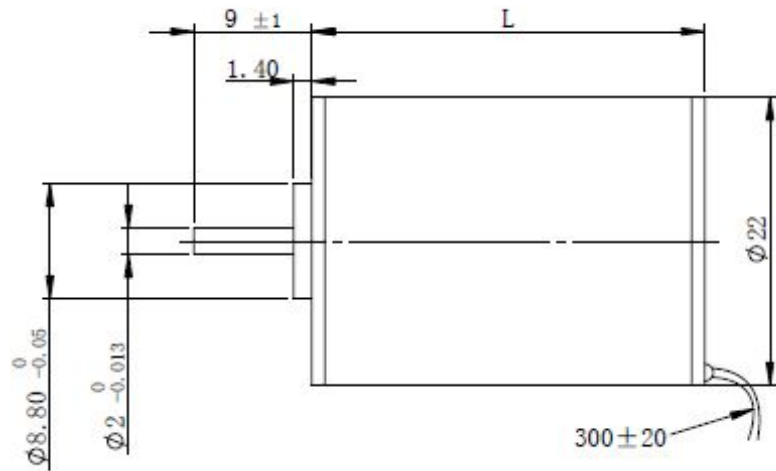


Rev	Modify details	Modified by/date




**Specification:**

Model		EL22RBL 33	EL22RBL 43
Number of phase		3	
Rated voltage	VDC	24	24
Rated speed	RPM	10000	6000
Rated torque	mN.m	8.1	11
Rotor power	W	8.5	7
Body length	mm	33	43
Weight	Kg	0.05	0.05

**General specification:**

Item	Specifications
Winding type	Star/Delta
Hall effect angle	120 degree electrical angle
Shaft run out	0.025mm
Radial play	0.06mm@450g
End play	0.08mm@450g
Max. radial force	10N@10mm from the flange
Max. axial force	2N
Insulation class	Class B
Dielectric strength	500VAC for one minute
Insulation resistance	100MΩMin.500VDC

Project No.:	Part No.:	Material	REV
	EL22RBL DC		A
Description:		Weight	Scale
DC Brushless Motor		Design:	
 <a href="http://www.elmeq.com">www.elmeq.com</a>		Approve:	



This drawing and its contents are the property of ELMEQ and must not be copied, reproduced, transmitted or disclosed to any third party without written consent of ELMEQ