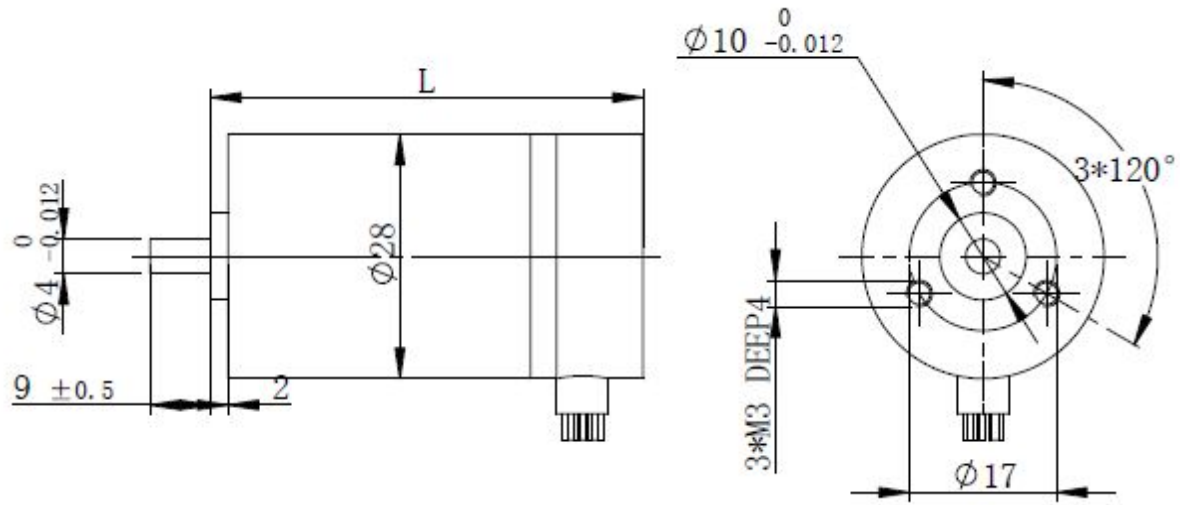



| | | |
|-----|----------------|------------------|
| Rev | Modify details | Modified by/date |
| | | |



| Specification: | | | |
|-------------------------|-------------------|---------------|---------------|
| Model | | EL28RBL 26 | EL28RBL 38 |
| Number of poles | | 4 | |
| Number of phase | | 3 | |
| Rated voltage | VDC | 15 | 24 |
| Rated speed | RPM | 8000 | 20000 |
| Continuous stall torque | N.m | 8.4 | 14.16 |
| Rated torque | N.m | 7 | 11.8 |
| Rotor power | W | 6 | 25 |
| Peak torque | N.m | 21 | 35.4 |
| Peak current | A | 2.5 | 4.06 |
| Torque constant | Nm/A | 0.014 | 0.009 |
| Back E.M.F | V/KRPM | 1.5 | 0.92 |
| Rotor inertia | g.cm ² | 1.23 | 2.12 |
| Body length | mm | 26 | 38 |
| Voltage range | VDC | 12~36 | |
| Speed Range | rpm | 4000~24000 | |
| Weight | Kg | 0.06 | 0.08 |

| General specification: | |
|------------------------|-----------------------------|
| Item | Specifications |
| Winding type | Star |
| Hall effect angle | 120 degree electrical angle |
| Shaft run out | 0.025mm |
| Radial play | 0.02mm@450g |
| End play | 0.08mm@450g |
| Max. radial force | 15N @ 10mm from the flange |
| Max. axial force | 10N |
| Insulation class | Class B |
| Dielectric strength | 500VDC for one minute |
| Insulation resistance | 100MΩMin., 500VDC |

| | | | |
|--|------------|----------|-------|
| Project No.: | Part No.: | Material | REV |
| | EL28RBL DC | | A |
| Description: | | Weight | Scale |
| DC Brushless Motor | | Design: | |
|  www.elmeq.com | | Approve: | |



This drawing and its contents are the property of ELMEQ and must not be copied, reproduced, transmitted or disclosed to any third party without written consent of ELMEQ