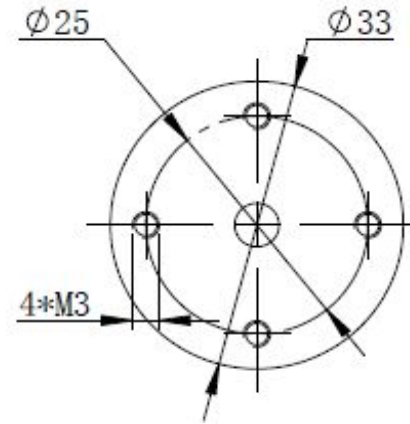
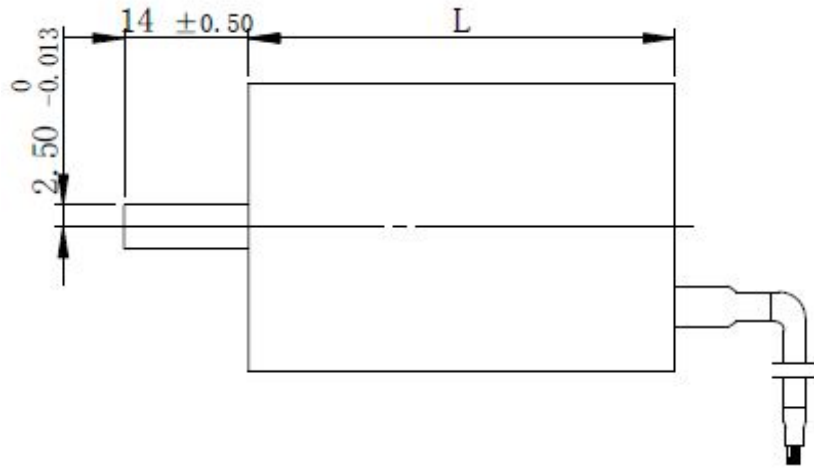


|     |                |                  |
|-----|----------------|------------------|
| Rev | Modify details | Modified by/date |
|     |                |                  |




**Specification:**

| Model                   |                    | EL33RBL<br>36-01      | EL33RBL<br>36-02   | EL33RBL<br>36-03     |
|-------------------------|--------------------|-----------------------|--------------------|----------------------|
| Number of poles         |                    | 4                     |                    |                      |
| Number of phase         |                    | 3                     |                    |                      |
| Rated voltage           | VDC                | 24                    | 24                 | 12                   |
| Rated speed             | RPM                | 15000                 | 20000              | 20000                |
| Continuous stall torque | N.m                | 22                    | 14.16              | 14.16                |
| Rated torque            | N.m                | 26                    | 11.8               | 11.8                 |
| Rotor power             | W                  | 41                    | 25                 | 25                   |
| Peak torque             | N.m                | 66                    | 35.4               | 35.4                 |
| Peak current            | A                  | 6                     | 4.05               | 8.1                  |
| Torque constant         | Nm/A               | $12.5 \times 10^{-3}$ | $9 \times 10^{-3}$ | $4.5 \times 10^{-3}$ |
| Back E.M.F              | V/KRPM             | 1.33                  | 1.09               | 0.54                 |
| Rotor inertia           | g.c.m <sup>2</sup> | 2.33                  | 2.33               | 2.33                 |
| Body length             | mm                 | 36                    | 36                 | 36                   |
| Voltage range           | VDC                | 12~24                 |                    |                      |
| Speed Range             | rpm                | 4000~22000            |                    |                      |
| Weight                  | Kg                 | 0.1                   | 0.1                | 0.1                  |

**General specification:**

| Item                  | Specifications              |
|-----------------------|-----------------------------|
| Winding type          | Star                        |
| Hall effect angle     | 120 degree electrical angle |
| Shaft run out         | 0.025mm                     |
| Radial play           | 0.02mm@450g                 |
| End play              | 0.08mm@450g                 |
| Max. radial force     | 15N @ 10mm from the flange  |
| Max. axial force      | 10N                         |
| Insulation class      | Class B                     |
| Dielectric strength   | 500VDC for one minute       |
| Insulation resistance | 100MΩMin., 500VDC           |

|  |            |          |       |
|--|------------|----------|-------|
| Project No.:   | Part No.:  | Material | REV   |
|  | EL33RBL DC |          | A     |
| Description:   |            | Weight   | Scale |
| DC Brushless Motor   |            | Design:  |       |
|  <a href="http://www.elmeq.com">www.elmeq.com</a> |            | Approve: |       |



This drawing and its contents are the property of ELMEQ and must not be copied, reproduced, transmitted or disclosed to any third party without written consent of ELMEQ