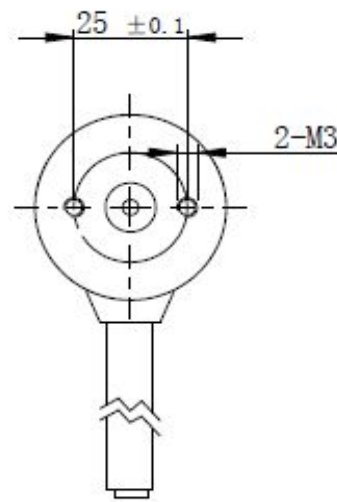
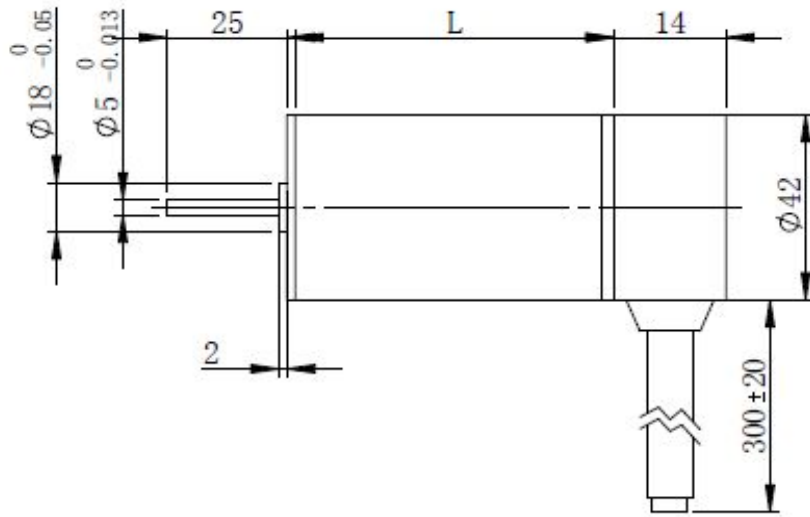


Rev	Modify details	Modified by/date




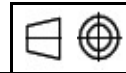
Specification:

Model		EL42RBL 42	EL42RBL 52	EL42RBL 62	EL42RBL 82
Number of phase		3			
Rated voltage	VDC	24	12	24	24
Rated speed	RPM	2000	3000	4000	8000
Rated torque	mN.m	72	48	131	900
Rotor power	W	15	15	55	75
Body length	mm	42	52	62	82
Weight	Kg	0.25	0.3	0.37	0.5

General specification:

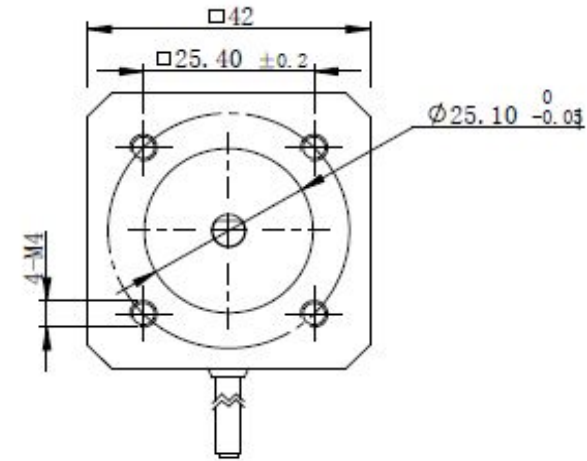
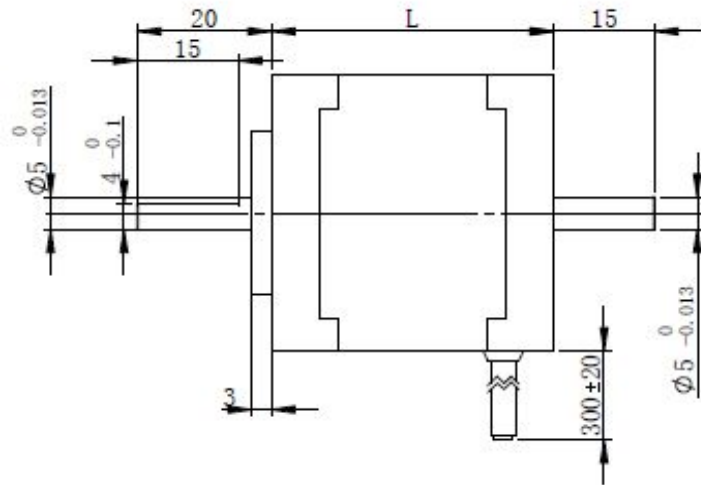
Item	Specifications
Winding type	Star/Delta
Hall effect angle	120 degree electrical angle
Shaft run out	0.025mm
Radial play	0.06mm@450g
End play	0.08mm@450g
Max. radial force	28N@20mm from the flange
Max. axial force	10N
Insulation class	Class B
Dielectric strength	500VAC for one minute
Insulation resistance	100MΩMin.500VDC

Project No.:	Part No.:	Material	REV
	EL42RBL DC		A
Description:		Weight	Scale
DC Brushless Motor		Design:	
 www.elmeq.com		Approve:	



This drawing and its contents are the property of ELMEQ and must not be copied, reproduced, transmitted or disclosed to any third party without written consent of ELMEQ

Rev	Modify details	Modified by/date




Specification:

Model		EL42SBL 41	EL42SBL 61	EL42SBL 81	EL42SBL 100
Number of phase		3			
Rated voltage	VDC	24	24	24	24
Rated speed	RPM	4000	4000	4000	4000
Rated torque	mN.m	62.5	125	185	250
Back E.M.F	V/KRPM	3.66	3	3.76	3.94
Rotor power	W	26	52.5	77.5	105
Body length	mm	41	61	81	100
Weight	Kg	0.3	0.45	0.65	0.8

General specification:

Item	Specifications
Winding type	Star/Delta
Hall effect angle	120 degree electrical angle
Shaft run out	0.025mm
Radial play	0.06mm@450g
End play	0.08mm@450g
Max. radial force	28N@20mm from the flange
Max. axial force	10N
Insulation class	Class B
Dielectric strength	500VAC for one minute
Insulation resistance	100MΩMin.500VDC

Project No.:	Part No.:	Material	REV
	EL42SBL DC		A
Description:		Weight	Scale
DC Brushless Motor		Design:	
 www.elmeq.com		Approve:	



Tish drawing and its contents are the property of ELMEQ and must not be copied, reproduced, transmitted or disclosed to any third party without written consent of ELMEQ