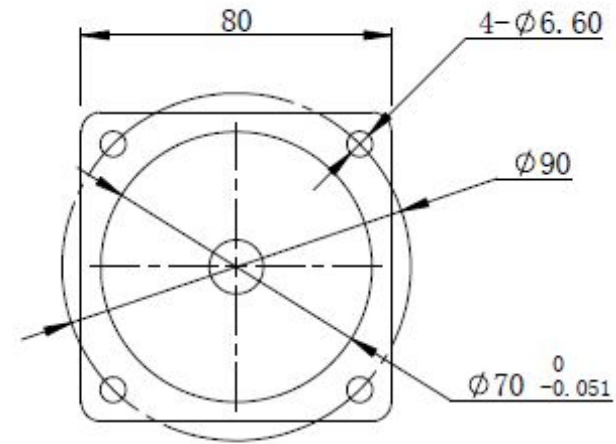
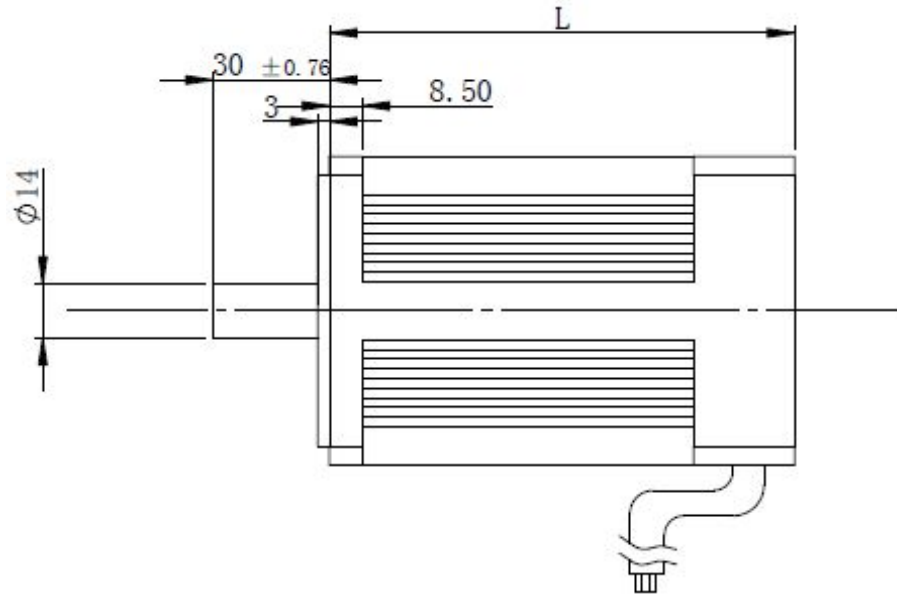


Rev	Modify details	Modified by/date




Specification:

Model		EL80SBL 85-01	EL80SBL 85-02	EL80SBL 85-03	EL80SBL 105-01	EL80SBL 105-02	EL80SBL 105-03	EL80SBL 120-01	EL80SBL 120-02	EL80SBL 120-03	EL80SBL 140	
Number of poles		4										
Number of phase		3										
Rated voltage	VDC	36	36	36	36	36	36	170	170	170	170	
Rated speed	RPM	2000	4000	6000	2000	4000	6000	2000	4000	6000	2000	
Continuous stall torque	N.m	0.96	0.96	0.96	1.44	1.44	1.44	2.16	2.16	2.16	3	
Rated torque	N.m	0.8	0.8	0.8	1.2	1.2	1.2	1.8	1.8	1.8	2.5	
Rotor power	W	167	333	500	250	500	750	375	75	1128	523	
Peak torque	N.m	2.4	2.4	2.4	3.6	3.6	3.6	5.4	5.4	5.4	7.5	
Peak current	A	18.55	18.55	18.55	27.7	55.5	83.3	8.84	17.74	26.54	12.3	
Torque constant	Nm/A	0.121	0.068	0.042	0.121	0.068	0.042	0.573	0.32	0.2	0.573	
Back E.M.F	V/KRPM	12.85	7.2	4.5	12.85	7.2	4.5	60.7	34	21.25	60.7	
Rotor inertia	g.cm ²	0.6	0.6	0.6	0.9	0.9	0.9	1.4	1.4	1.4	1.4	
Body length	mm	85	85	85	105	105	105	120	120	120	140	
Voltage range	VDC	36-325										
Speed Range	rpm	2000-6000										
Weight	Kg	1.7	1.7	1.7	2.3	2.3	2.3	2.9	2.9	2.9	3.5	

General specification:

Item	Specifications
Winding type	Star
Hall effect angle	120 degree electrical angle
Shaft run out	0.025mm
Radial play	0.025mm@460g
End play	0.025mm@400g
Max. radial force	220N @ 20mm from the
Max. axial force	60N
Insulation class	Class B
Dielectric strength	500VDC for one minute
Insulation resistance	100MΩMin., 500VDC

Project No.:	Part No.:	Material	REV
	EL80SBL DC		A
Description:		Weight	Scale
DC Brushless Motor			
		Design:	
 www.elmeq.com		Approve:	



This drawing and its contents are the property of ELMEQ and must not be copied, reproduced, transmitted or disclosed to any third party without written consent of ELMEQ