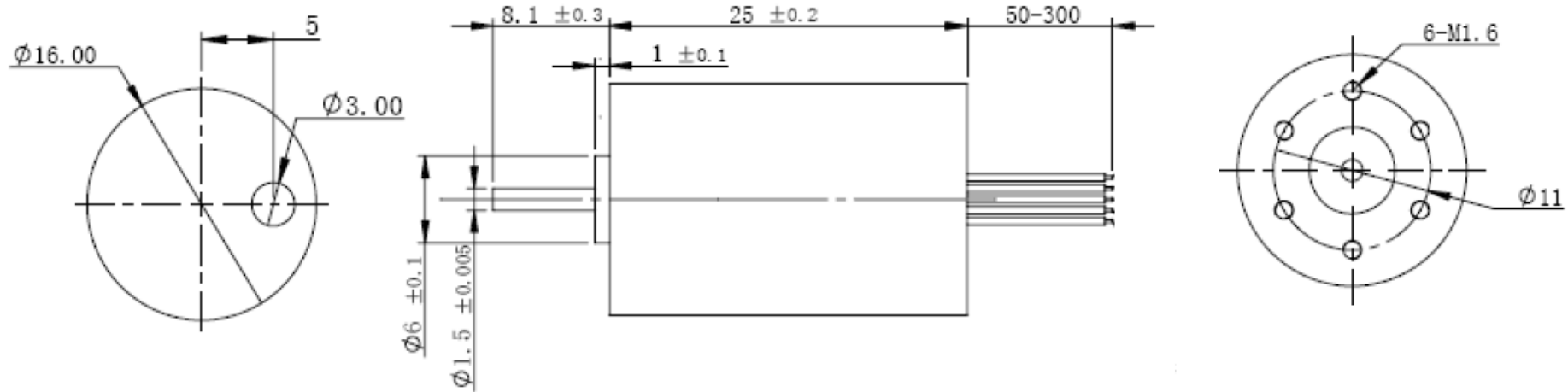


Rev	Modify details	Modified by/date



Model	Voltage(V)		No Load		Rated Load			Starting		
	Operating Range	Rated	Speed (rpm)	Current (A)	Torque (mNm)	Speed (rpm)	Current (A)	Output P. (W)	Torque (mNm)	Current (A)
EL16RBL25-01IE	8-26	12	9300	0.025	0.687	6300	0.081	0.454	2.134	0.200
EL16RBL25-02IE	5-12	9	9600	0.030	0.626	7270	0.093	0.476	2.577	0.291
EL16RBL25-03IE	5-12	6	9050	0.049	0.628	6710	0.141	0.442	2.436	0.406

Lead wire define	
1.Red	Motor"+"
2.Green	Speed signal output.
3.Yellow	CW/CCW control, No connect motor runing CW.connect motor"- " running CCW.
4.Black	Motor"- "
5.Blue	PWM speed control, If PWM wire connect motor" -" motor running in full speed.

Notice:

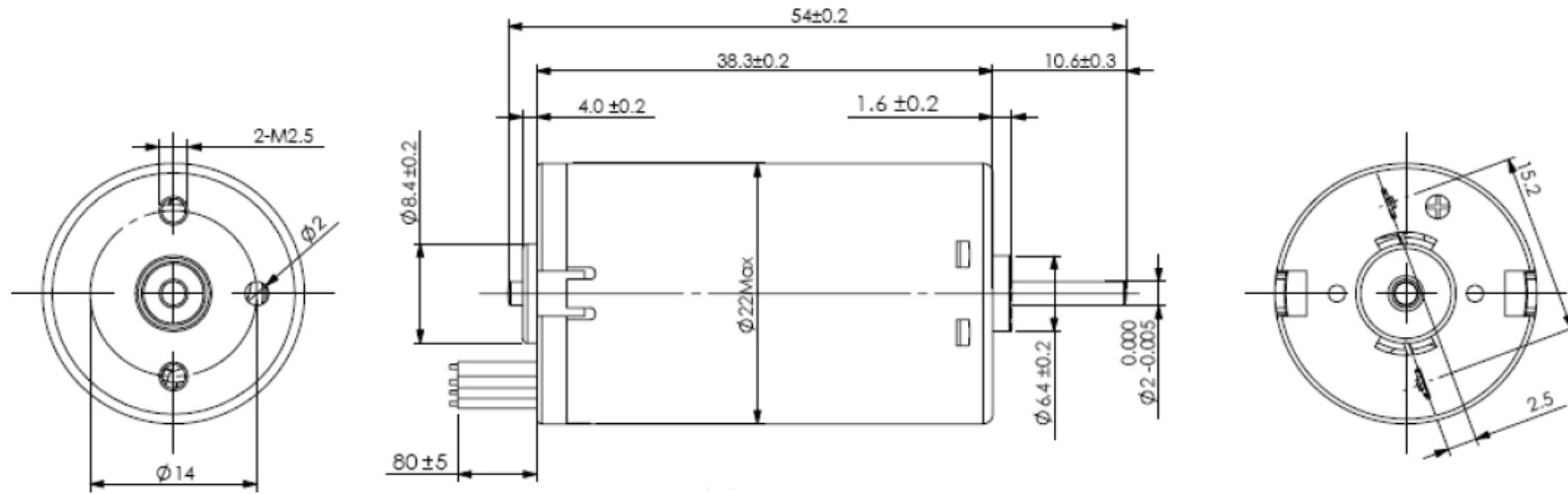
The datas in this typical specification sheet are for other certain customers, the specific BLDC motor performance can be changed by adjusting winding, magnetic field, controller parameter and relevant mechanical factor to meet different customer requirement.

Project No.:	Part No.:	Material	REV
	EL16RBL25		A
Description:		Weight	Scale
DC Brushless Motor			
		Design:	
ELMEQ www.elmeq.com		Approve:	



This drawing and its contents are the property of ELMEQ and must not be copied, reproduced, transmitted or disclosed to any third party without written consent of ELMEQ.

Rev	Modify details	Modified by/date



Model	Voltage(V)		No Load		Rated Load				Starting	
	Operating Range	Rated	Speed (rpm)	Current (A)	Torque (mNm)	Speed (rpm)	Current (A)	Output P. (W)	Torque (mNm)	Current (A)
EL22RBL38-01IE	5-8	6	4000	0.09	4.61	3075	0.45	1.49	20.0	1.20
EL22RBL38-02IE	8-26	12	4480	0.04	3.92	3490	0.19	1.44	17.7	0.72
EL22RBL38-03IE	8-26	24	5640	0.05	5.20	4220	0.18	2.30	20.7	0.58

Lead wire define	
1.Red	Motor"+"
2.Yellow	CW/CCW control, No connect motor runing CW.connect motor"- " running CCW.
3.Black	Motor"-"
4.Blue	PWM speed control, If PWM wire connect motor"- " motor running in full speed.

Notice:

The datas in this typical specification sheet are for other certain customers, the specific BLDC motor performance can be changed by adjusting winding, magnetic field, controller parameter and relevant mechanical factor to meet different customer requirement.

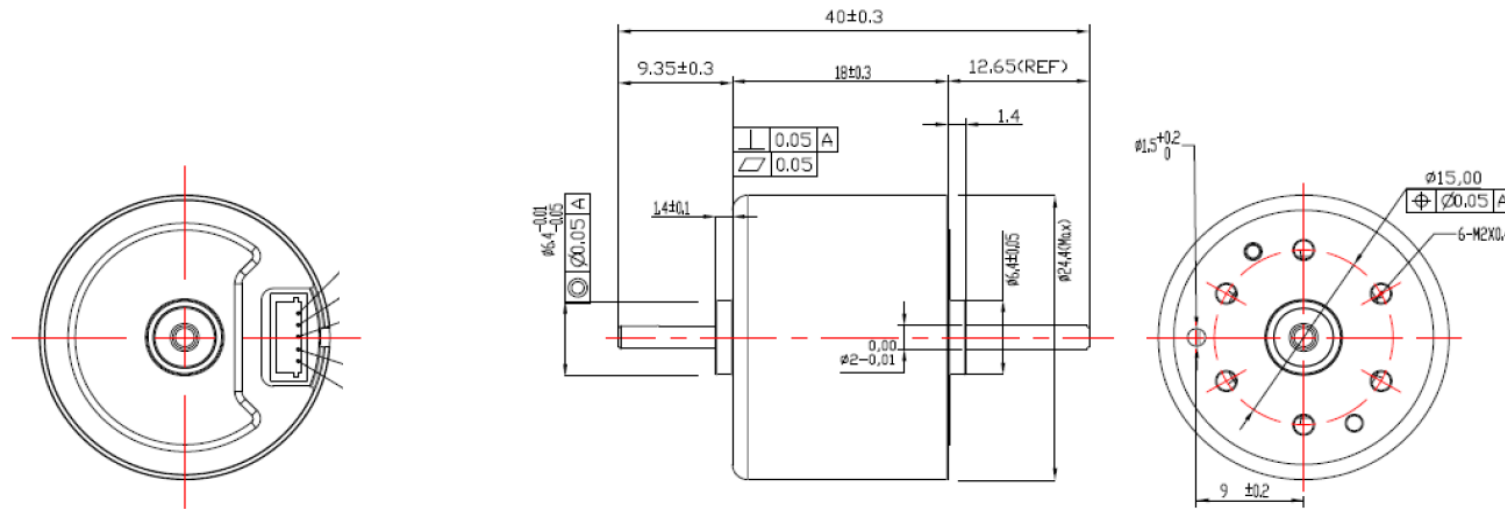
Project No.:	Part No.:	Material	REV
	EL22RBL38		A
Description:		Weight	Scale
DC Brushless Motor			
		Design:	
		Approve:	

ELMEQ www.elmeq.com



This drawing and its contents are the property of ELMEQ and must not be copied, reproduced, transmitted or disclosed to any third party without written consent of ELMEQ.

Rev	Modify details	Modified by/date

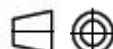


Model	Voltage(V)		No Load		Rated Load			Starting		
	Operating Range	Rated	Speed (rpm)	Current (A)	Torque (mNm)	Speed (rpm)	Current (A)	Output P. (W)	Torque (mNm)	Current (A)
EL24RBL18-01IE	5-12	6	9260	0.21	2.45	7490	0.61	1.93	6.2	1.20
EL24RBL18-02IE	8-26	12	6520	0.08	2.45	4660	0.24	1.2	8.4	0.65
EL24RBL18-03IE	8-26	24	12500	0.09	5.89	9340	0.30	5.75	19.6	0.80

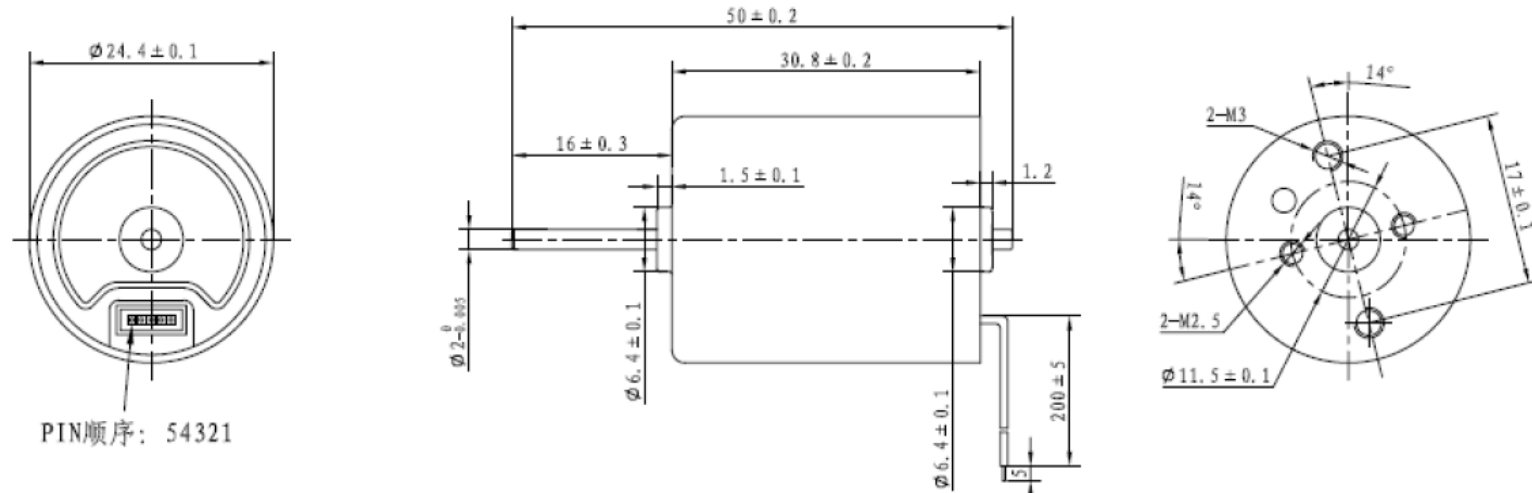
Lead wire define	
1.Red	Motor"+"
2.Green	Speed signal output.
3.Yellow	CW/CCW control, No connect motor runing CW.connect motor"- " running CCW.
4.Black	Motor"- "
5.Blue	PWM speed control, If PWM wire conect motor" - " motor running in full speed.

Notice:
 The datas in this typical specification sheet are for other certain customers, the specific BLDC motor performance can be changed by adjusting winding, magnetic field, controller parameter and relevant mechanical factor to meet different customer requirement

Project No.:	Part No.:	Material	REV
	EL24RBL18		A
Description:		Weight	Scale
DC Brushless Motor			
		Design:	
		Approve:	
ELMEQ www.elmeq.com			

 This drawing and its contents are the property of ELMEQ and must not be copied, reproduced, transmitted or disclosed to any third party without written consent of ELMEQ.

Rev	Modify details	Modified by/date



PIN顺序: 54321

Model	Voltage(V)		No Load		Rated Load				Starting	
	Operating Range	Rated	Speed (rpm)	Current (A)	Torque (mNm)	Speed (rpm)	Current (A)	Output P. (W)	Torque (mNm)	Current (A)
EL24RBL30-01IE	5-12	6	5380	0.23	3.92	4720	0.61	1.94	13.2	1.5
EL24RBL30-02IE	8-26	12	8030	0.25	9.30	6100	0.83	5.94	21.5	1.5
EL24RBL30-03IE	8-26	24	6600	0.07	4.91	5750	0.21	3.01	37.6	1.2

Lead wire define	
1.Red	Motor"+"
2.Green	Speed signal output.
3.Yellow	CW/CCW control, No connect motor runing CW.connect motor"- " running CCW.
4.Black	Motor"- "
5.Blue	PWM speed control, If PWM wire connect motor"- " motor running in full speed.

Notice:

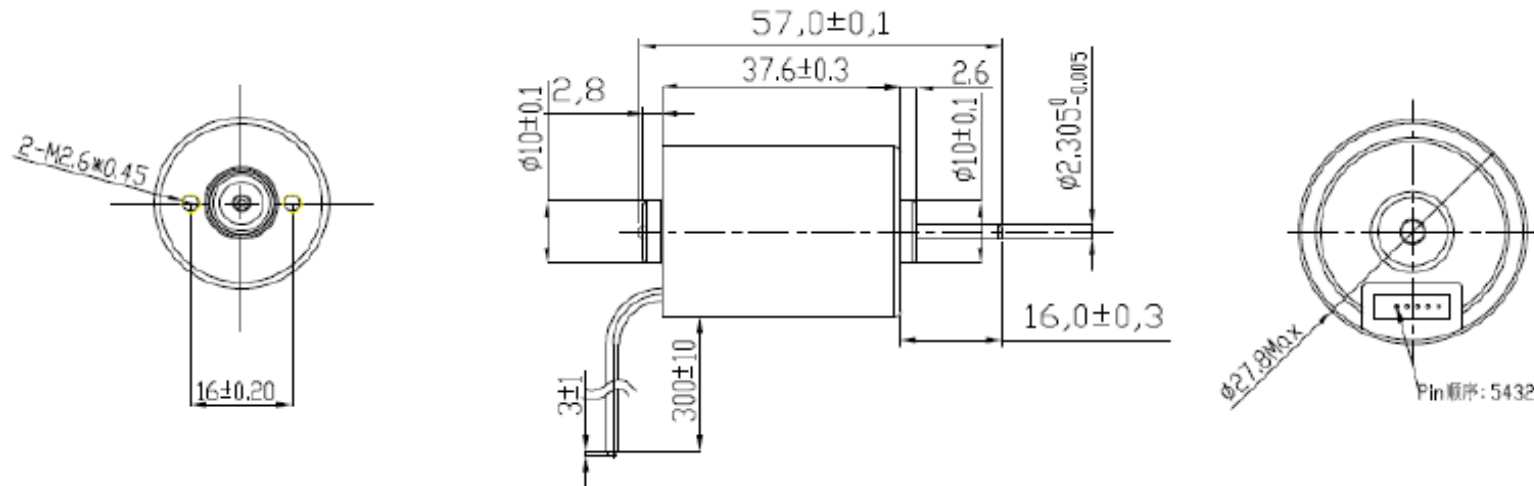
The datas in this typical specification sheet are for other certain customers, the specific BLDC motor performance can be changed by adjusting winding, magnetic field, controller parameter and relevant mechanical factor to meet different customer requirement

Project No.:	Part No.:	Material	REV
	EL24RBL30		A
Description:		Weight	Scale
DC Brushless Motor			
		Design:	
		Approve:	



This drawing and its contents are the property of ELMEQ and must not be copied, reproduced, transmitted or disclosed to any third party without written consent of ELMEQ.


Rev	Modify details	Modified by/date



Model	Voltage(V)		No Load		Rated Load				Starting	
	Operating Range	Rated	Speed (rpm)	Current (A)	Torque (mNm)	Speed (rpm)	Current (A)	Output P. (W)	Torque (mNm)	Current (A)
EL28RBL38-011E	8-26	12	4430	0.14	17.95	3070	0.73	5.78	58.4	2.0
EL28RBL38-021E	8-26	24	7240	0.15	24.0	5800	0.93	14.6	56.5	2.0

Lead wire define	
1.Red	Motor"+"
2.Green	Speed signal output.
3.Yellow	CW/CCW control, No connect motor runing CW.connect motor"- " running CCW.
4.Black	Motor"-"
5.Blue	PWM speed control, If PWM wire conect motor" -" motor running in full speed.

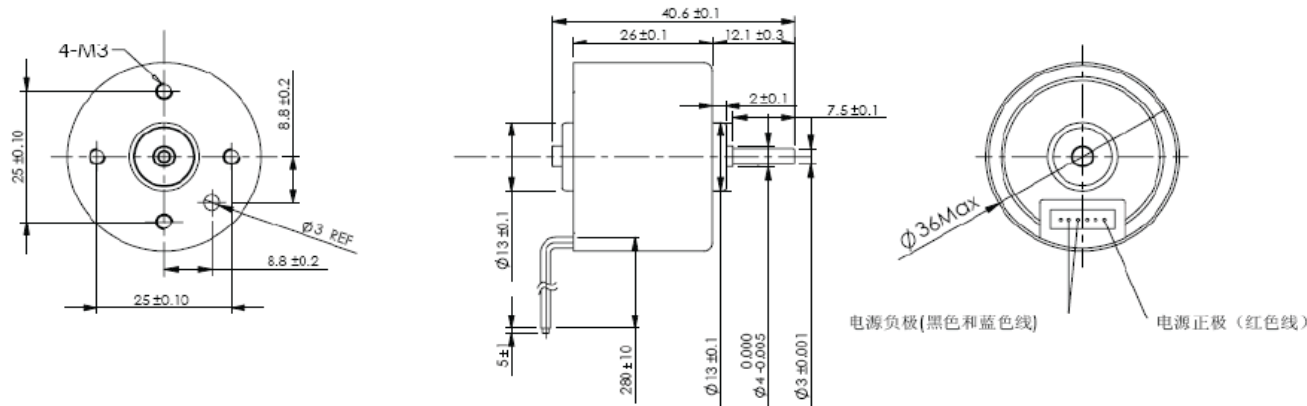
Notice:
 The datas in this typical specification sheet are for other certain customers, the specific BLDC motor performance can be changed by adjusting winding, magnetic field, controller parameter and relevant mechanical factor to meet different customer requirement

Project No.:	Part No.:	Material	REV
	EL28RBL38		A
Description:		Weight	Scale
DC Brushless Motor			
		Design:	
		Approve:	
 www.elmeq.com			



This drawing and its contents are the property of ELMEQ and must not be copied, reproduced, transmitted or disclosed to any third party without written consent of ELMEQ.

Rev	Modify details	Modified by/date



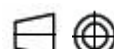
Model	Voltage(V)		No Load		Rated Load				Starting	
	Operating Range	Rated	Speed (rpm)	Current (A)	Torque (mNm)	Speed (rpm)	Current (A)	Output P. (W)	Torque (mNm)	Current (A)
EL36RBL26-01IE	8-26	9	2720	0.122	13.73	985	0.57	1.42	21.51	0.83
EL36RBL26-02IE	8-26	12	1900	0.090	6.87	1480	0.19	1.06	30.96	0.56
EL36RBL26-03IE	8-26	24	4680	0.130	35.32	2050	0.80	7.57	62.63	1.33

Lead wire define	
1.Red	Motor"+"
2.Green	Speed signal output.
3.Yellow	CW/CCW control, No connect motor runing CW.connect motor"-." running CCW.
4.Black	Motor"-"
5.Blue	PWM speed control, If PWM wire connect motor"-." motor running in full speed.
6.White	Brake: Input voltage range:0 V~5 V;High voltage,brake does not work(2.0 V Min or not connect);Low voltage,the motor is braked(0.8 V Max:)

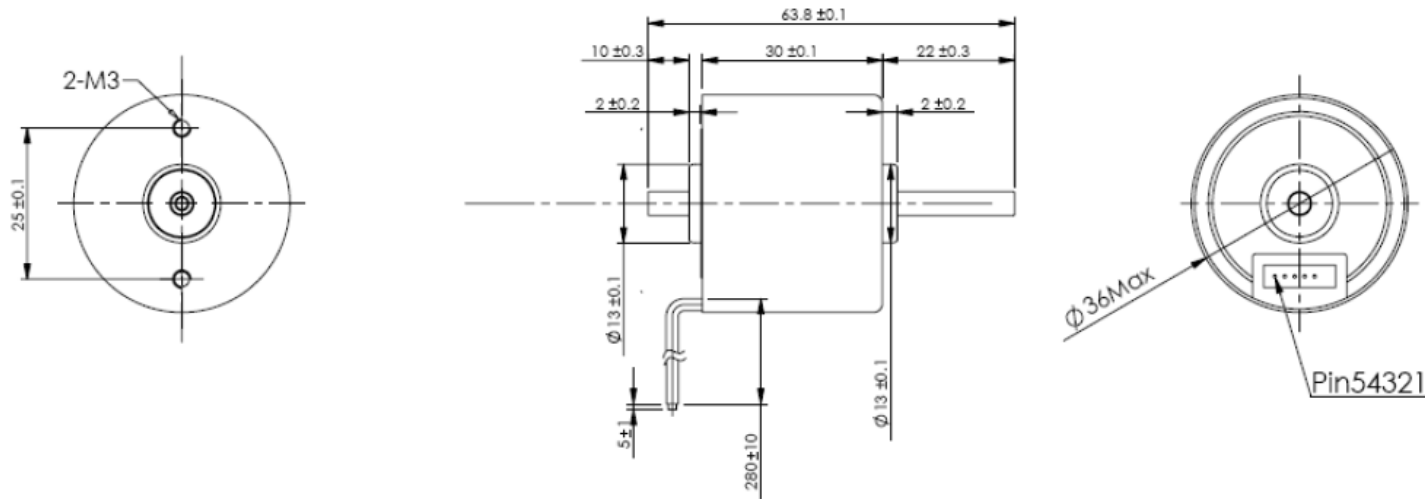
Notice:

The datas in this typical specification sheet are for other certain customers, the specific BLDC motor performance can be changed by adjusting winding, magnetic field, controller parameter and relevant mechanical factor to meet different customer requirement.

Project No.:	Part No.:	Material	REV
	EL36RBL26		A
Description:		Weight	Scale
DC Brushless Motor			
		Design:	
		Approve:	
ELMEQ www.elmeq.com			

 This drawing and its contents are the property of ELMEQ and must not be copied, reproduced, transmitted or disclosed to any third party without written consent of ELMEQ.

Rev	Modify details	Modified by/date




Model	Voltage(V)		No Load		Rated Load				Starting	
	Operating Range	Rated	Speed (rpm)	Current (A)	Torque (mNm)	Speed (rpm)	Current (A)	Output P. (W)	Torque (mNm)	Current (A)
EL36RBL30-011E	8-26	12	1896	0.09	11.70	1170	0.27	1.45	30.96	0.56
EL36RBL30-021E	8-26	12	2360	0.15	12.00	1760	0.38	2.21	47.12	1.05
EL36RBL30-031E	6-12	6	2940	0.39	10.00	2270	0.91	2.38	44.05	2.68

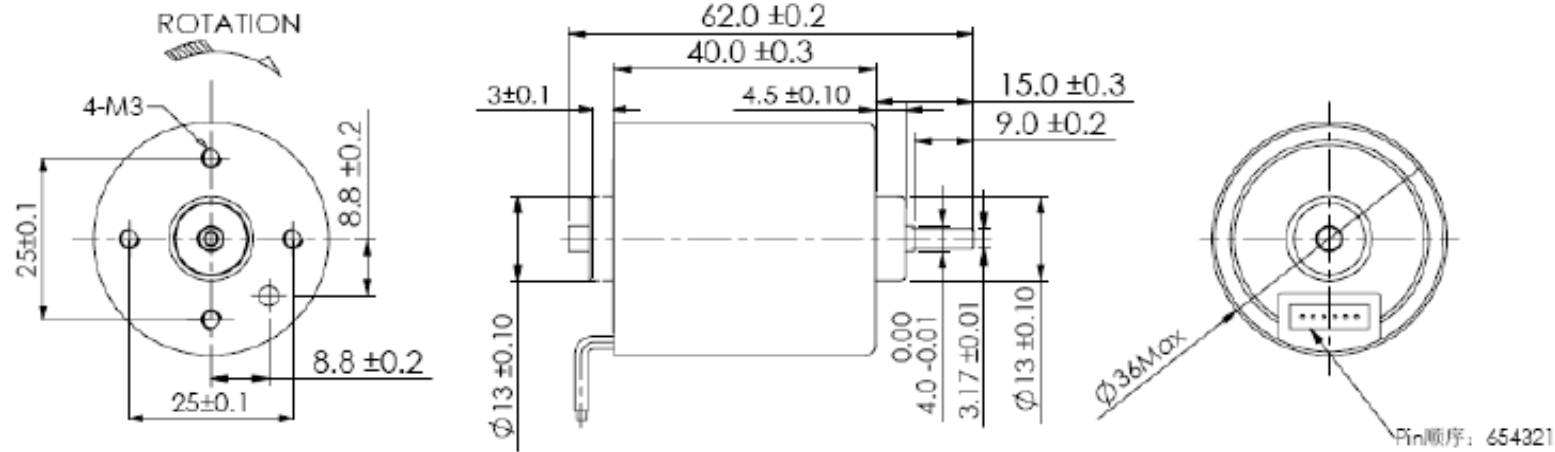
Lead wire define	
1.Red	Motor"+"
2.Green	Speed signal output.
3.Yellow	CW/CCW control, No connect motor runing CW.connect motor"- " running CCW.
4.Black	Motor"- "
5.Blue	PWM speed control, if PWM wire conect motor" -" motor running in full speed.

Notice:
The datas in this typical specification sheet are for other certain customers, the specific BLDC motor performance can be changed by adjusting winding, magnetic field, controller parameter and relevant mechanical factor to meet different customer requirement.

Project No.:	Part No.:	Material	REV
	EL36RBL30		A
Description:		Weight	Scale
DC Brushless Motor		Design:	
ELMEQ www.elmeq.com		Approve:	

 This drawing and its contents are the property of ELMEQ and must not be copied, reproduced, transmitted or disclosed to any third party without written consent of ELMEQ.

Rev	Modify details	Modified by/date



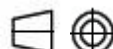
Model	Voltage(V)		No Load		Rated Load			Starting		
	Operating Range	Rated	Speed (rpm)	Current (A)	Torque (mNm)	Speed (rpm)	Current (A)	Output P. (W)	Torque (mNm)	Current (A)
EL36RBL40-011E	8-26	12	2360	0.14	25.5	1830	0.69	4.9	113.1	2.60
EL36RBL40-021E	8-26	24	6140	0.26	23.5	5190	0.85	12.8	152.7	4.00

Lead wire define	
1.Red	Motor"+"
2.Green	Speed signal output.
3.Yellow	CW/CCW control, No connect motor runing CW.connect motor"- " running CCW.
4.Black	Motor"-"
5.Blue	PWM speed control, If PWM wire connect motor" -" motor running in full speed.
6.White	Brake: Input voltage range:0 V~5 V;High voltage,brake does not work(2.0 V Min or not connect);Low voltage,the motor is braked(0.8 V Max.)

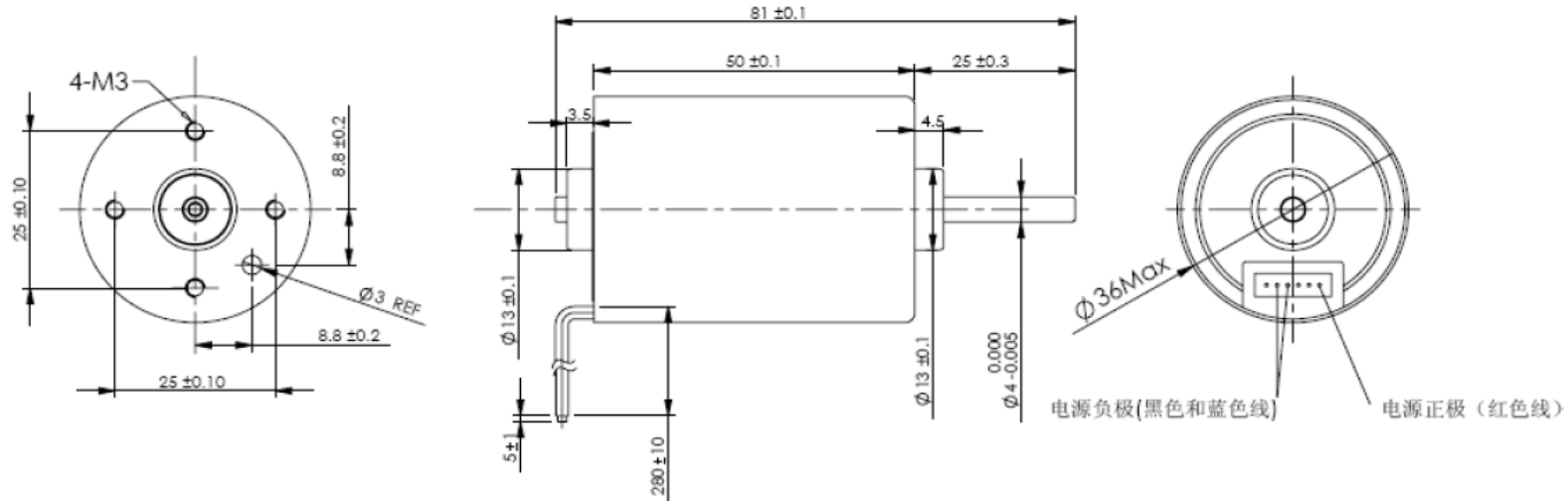
Notice:

The datas in this typical specification sheet are for other certain customers, the specific BLDC motor performance can be changed by adjusting winding, magnetic field, controller parameter and relevant mechanical factor to meet different customer requirement.

Project No.:	Part No.:	Material	REV
	EL36RBL40		A
Description:		Weight	Scale
DC Brushless Motor			
		Design:	
		Approve:	
ELMEQ www.elmeq.com			

 This drawing and its contents are the property of ELMEQ and must not be copied, reproduced, transmitted or disclosed to any third party without written consent of ELMEQ.

Rev	Modify details	Modified by/date




Model	Voltage(V)		No Load		Rated Load			Starting		
	Operating Range	Rated	Speed (rpm)	Current (A)	Torque (mNm)	Speed (rpm)	Current (A)	Output P. (W)	Torque (mNm)	Current (A)
EL36RBL50-01IE	8-26	12	5300	0.46	23.5	4600	1.53	11.35	77.8	4.00
EL36RBL50-02IE	8-26	24	3500	0.18	25.0	3000	0.58	7.90	162.0	2.85
EL36RBL50-03IE	8-26	24	7150	0.43	39.24	6120	1.55	25.15	272.0	8.19

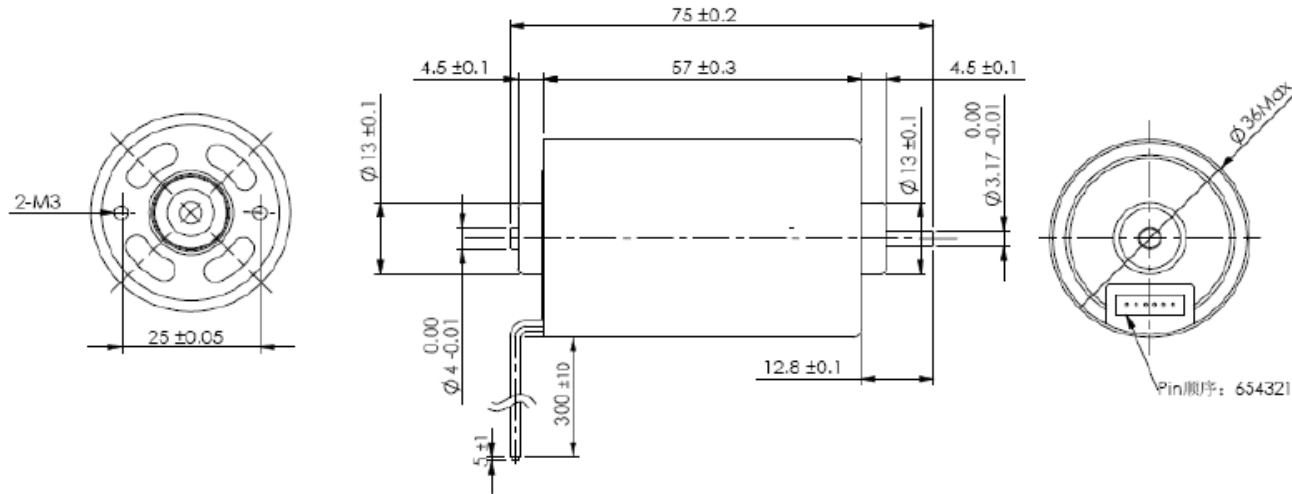
Lead wire define	
1.Red	Motor"+"
2.Green	Speed signal output.
3.Yellow	CW/CCW control, No connect motor runing CW.connect motor"- " running CCW.
4.Black	Motor"-"
5.Blue	PWM speed control, If PWM wire connect motor" - " motor running in full speed.
6.White	Brake: Input voltage range:0 V~5 V;High voltage,brake does not work(2.0 V Min or not connect);Low voltage,the motor is braked(0.8 V Max:)

Notice:
The datas in this typical specification sheet are for other certain customers, the specific BLDC motor performance can be changed by adjusting winding, magnetic field, controller parameter and relevant mechanical factor to meet different customer requirement.

Project No.:	Part No.:	Material	REV
	EL36RBL50		A
Description:		Weight	Scale
DC Brushless Motor		Design:	
ELMEQ www.elmeq.com		Approve:	

 This drawing and its contents are the property of ELMEQ and must not be copied, reproduced, transmitted or disclosed to any third party without written consent of ELMEQ.

Rev	Modify details	Modified by/date



Model	Voltage(V)		No Load		Rated Load			Starting		
	Operating Range	Rated	Speed (rpm)	Current (A)	Torque (mNm)	Speed (rpm)	Current (A)	Output P. (W)	Torque (mNm)	Current (A)
EL36RBL57-01IE	8-26	12	3170	0.26	29.4	2460	1.15	7.6	121	4.0
EL36RBL57-02IE	8-26	24	6830	0.34	40.2	6134	1.48	25.8	130	4.0

Lead wire define	
1.Red	Motor"+"
2.Yellow	CW/CCW control, No conect motor runing CW.connect motor"- " running CCW.
3.Black	Motor"-"
4.Blue	PWM speed control, If PWM wire conect motor" -" motor running in full speed.

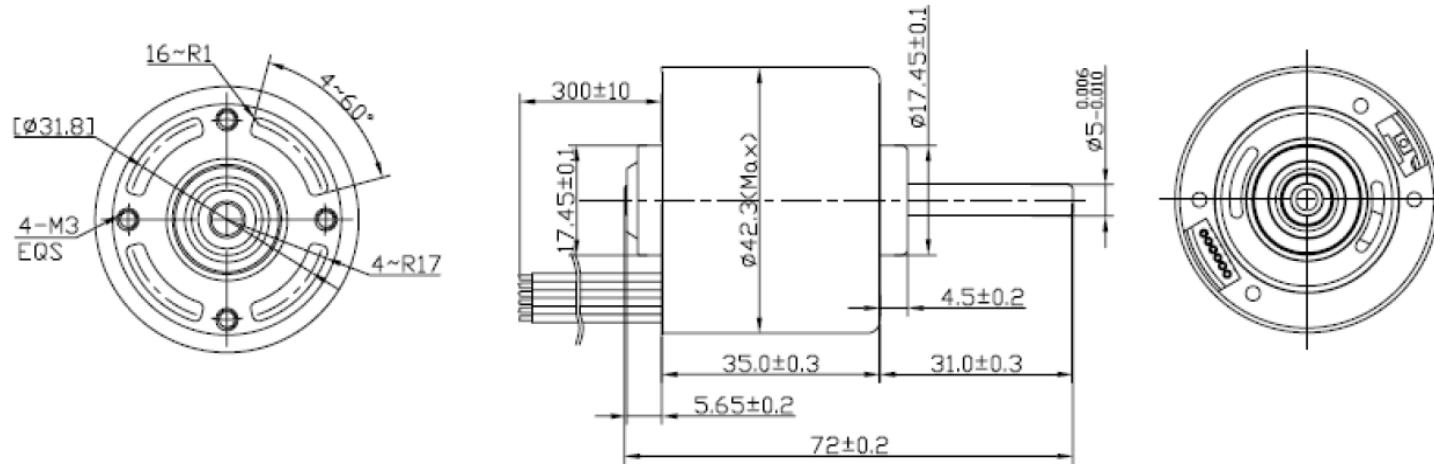
Notice:
The datas in this typical specification sheet are for other certain customers, the specific BLDC motor performance can be changed by adjusting winding, magnetic field, controller parameter and relevant mechanical factor to meet different customer requirement.

Project No.:	Part No.:	Material	REV
	EL36RBL57		A
Description:		Weight	Scale
DC Brushless Motor			
		Design:	
		Approve:	
ELMEQ www.elmeq.com			



This drawing and its contents are the property of ELMEQ and must not be copied, reproduced, transmitted or disclosed to any third party without written consent of ELMEQ.

Rev	Modify details	Modified by/date



Model	Voltage(V)		No Load		Rated Load			Starting		
	Operating Range	Rated	Speed (rpm)	Current (A)	Torque (mNm)	Speed (rpm)	Current (A)	Output P. (W)	Torque (mNm)	Current (A)
EL42RBL35-01IE	8-26	24	4960	0.19	49.0	3330	1.17	17.1	147.2	3.20
EL42RBL35-02IE	8-26	12	2860	0.21	40.2	2050	1.16	8.62	141.0	3.55

Lead wire define	
1.Red	Motor"+"
2.Green	Speed signal output.
3.Yellow	CW/CCW control, No connect motor running CW.connect motor"- running CCW.
4.Black	Motor"-"
5.Blue	PWM speed control, If PWM wire connect motor"-" motor running in full speed.
6.White	Brake: Input voltage range:0 V~5 V;High voltage,brake does not work(2.0 V Min or not connect);Low voltage,the motor is braked(0.8 V Max:)

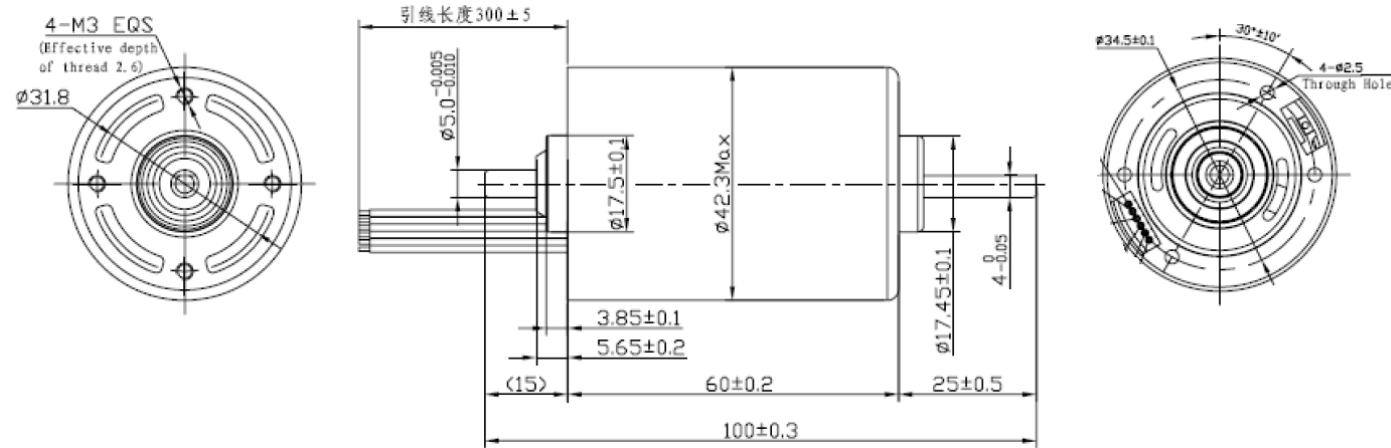
Notice:
The datas in this typical specification sheet are for other certain customers, the specific BLDC motor performance can be changed by adjusting winding, magnetic field, controller parameter and relevant mechanical factor to meet different customer requirement.

Project No.:	Part No.:	Material	REV
	EL42RBL35		A
Description:		Weight	Scale
DC Brushless Motor		Design:	
ELMEQ www.elmeq.com		Approve:	



This drawing and its contents are the property of ELMEQ and must not be copied, reproduced, transmitted or disclosed to any third party without written consent of ELMEQ.

Rev	Modify details	Modified by/date

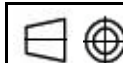


Model	Voltage(V)		No Load		Rated Load				Starting	
	Operating Range	Rated	Speed (rpm)	Current (A)	Torque (mNm)	Speed (rpm)	Current (A)	Output P. (W)	Torque (mNm)	Current (A)
EL42RBL60-011E	85-265 ac	220 ac	10500	0.03	31	7800	0.09	16	170	0.58
EL42RBL60-021E	8-26	24	8570	0.53	68	5770	2.80	41	167	6.00
EL42RBL60-031E	8-26	12	4270	0.34	59	2525	2.36	15.6	144	5.29

Lead wire define	
1.Red	Motor"+"
2.Green	Speed signal output.
3.Yellow	CW/CCW control, No connect motor runing CW.connect motor"- " running CCW.
4.Black	Motor"- "
5.Blue	PWM speed control, If PWM wire connect motor" - " motor running in full speed.
6.White	Brake: Input voltage range:0 V~5 V;High voltage,brake does not work(2.0 V Min or not connect);Low voltage,the motor is braked(0.8 V Max:)

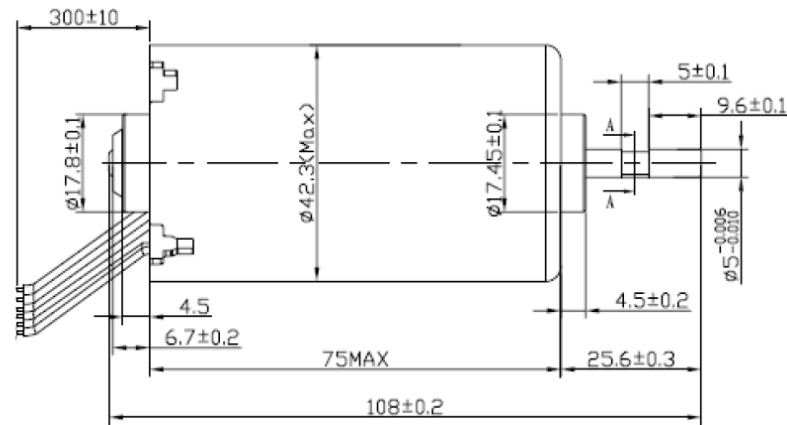
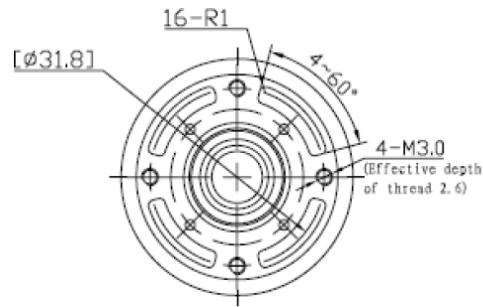
Notice:
The datas in this typical specification sheet are for other certain customers, the specific BLDC motor performance can be changed by adjusting winding, magnetic field, controller parameter and relevant mechanical factor to meet different customer requirement.

Project No.:	Part No.:	Material	REV
	EL42RBL60		A
Description:		Weight	Scale
DC Brushless Motor			
		Design:	
		Approve:	
		ELMEQ www.elmeq.com	



This drawing and its contents are the property of ELMEQ and must not be copied, reproduced, transmitted or disclosed to any third party without written consent of ELMEQ.

Rev	Modify details	Modified by/date



Model	Voltage(V)		No Load		Rated Load			Starting		
	Operating Range	Rated	Speed (rpm)	Current (A)	Torque (mNm)	Speed (rpm)	Current (A)	Output P. (W)	Torque (mNm)	Current (A)
EL42RBL75-01IE	85-265 ac	120 ac	5940	0.166	107.9	3680	0.687	41.5	280	1.50
EL42RBL75-02IE	8-26	24	5230	0.30	117.7	3400	2.49	42	303	6.00
EL42RBL75-03IE	8-26	12	2511	0.43	107.9	1310	2.38	14.8	222	4.48

Lead wire define	
1.Red	Motor"+"
2.Green	Speed signal output.
3.Yellow	CW/CCW control, No connect motor running CW.connect motor"- running CCW.
4.Black	Motor"-"
5.Blue	PWM speed control, If PWM wire connect motor"- motor running in full speed.
6.White	Brake: Input voltage range:0 V~5 V; High voltage,brake does not work(2.0 V Min or not connect);Low voltage,the motor is braked(0.8 V Max:)

Notice:

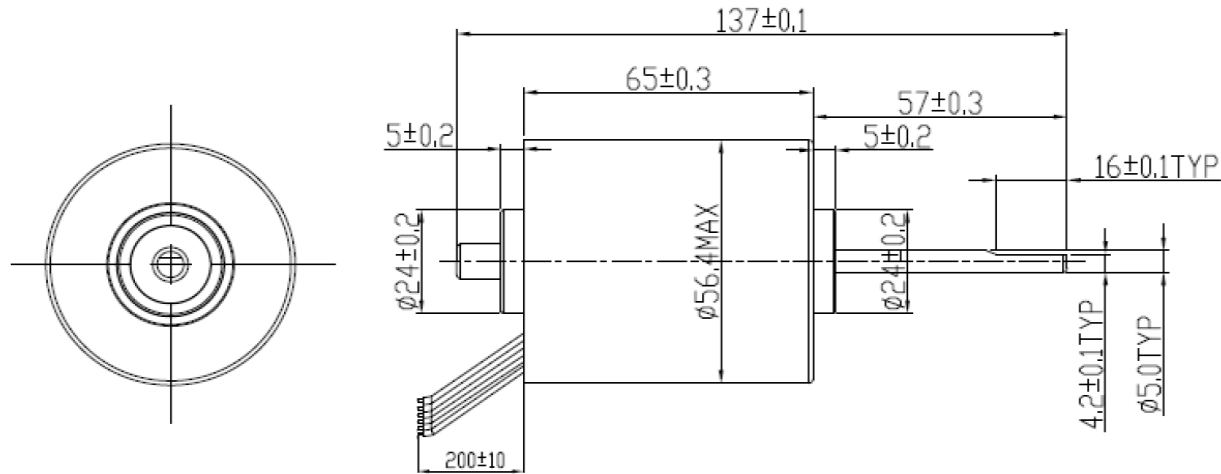
The datas in this typical specification sheet are for other certain customers, the specific BLDC motor performance can be changed by adjusting winding, magnetic field, controller parameter and relevant mechanical factor to meet different customer requirement.

Project No.:	Part No.:	Material	REV
	EL42RBL75		A
Description:		Weight	Scale
DC Brushless Motor		Design:	
ELMEQ www.elmeq.com		Approve:	



This drawing and its contents are the property of ELMEQ and must not be copied, reproduced, transmitted or disclosed to any third party without written consent of ELMEQ.

Rev	Modify details	Modified by/date



Model	Voltage(V)		No Load		Rated Load				Starting	
	Operating Range	Rated	Speed (rpm)	Current (A)	Torque (mNm)	Speed (rpm)	Current (A)	Output P. (W)	Torque (mNm)	Current (A)
EL56RBL65-01IE	85-265 ac	220 ac	3600	0.24	250	3000	0.68	75	827	2.0
EL56RBL65-02IE	32-48	36 dc	15000	0.61	90	14000	4.58	132	1190	45
EL56RBL65-03IE	8-26	24 dc	3600	0.45	190	3000	3.84	60	613	10.0

Lead wire define	
1.Red	Motor"+"
2.Green	Speed signal output
3.Yellow	CW/CCW control, No connect motor runing CW.connect motor"- " running CCW.
4.Black	Motor"-"
5.Blue	PWM speed control, If PWM wire conect motor"- " motor running in full speed.
6.White	Brake: Input voltage range:0 V~5 V;High voltage,brake does not work(2.0 V Min or not connect);Low voltage,the motor is braked(0.8 V Max:)

Notice:

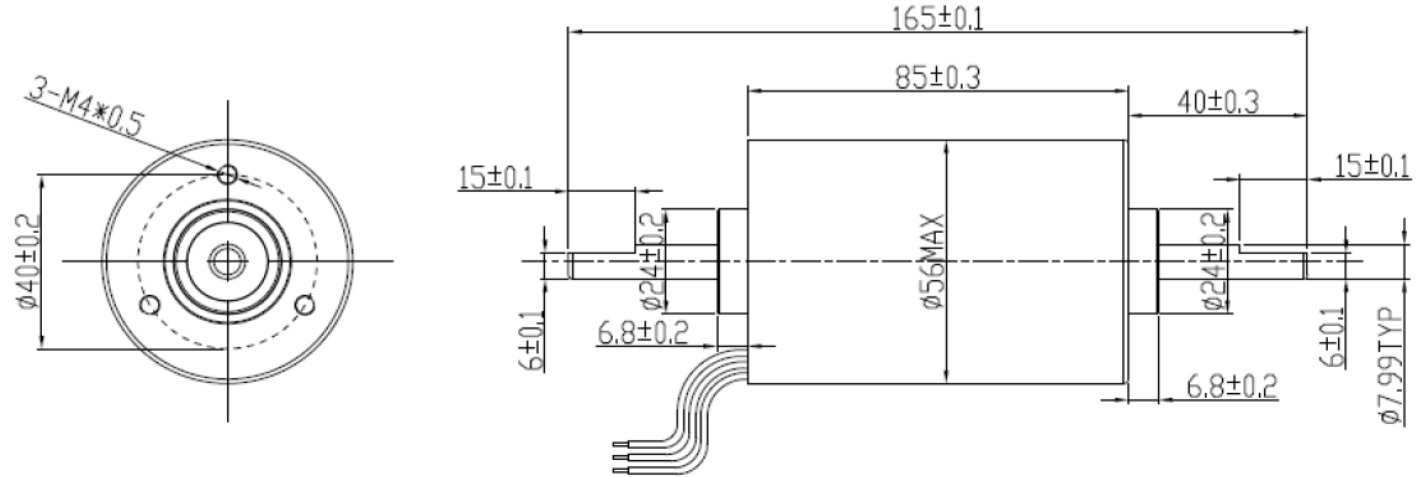
The datas in this typical specification sheet are for other certain customers, the specific BLDC motor performance can be changed by adjusting winding, magnetic field, controller parameter and relevant mechanical factor to meet different customer requirement.

Project No.:	Part No.:	Material	REV
	EL56RBL65		A
Description:		Weight	Scale
DC Brushless Motor			
		Design:	
		Approve:	
ELMEQ www.elmeq.com			



This drawing and its contents are the property of ELMEQ and must not be copied, reproduced, transmitted or disclosed to any third party without written consent of ELMEQ.

Rev	Modify details	Modified by/date

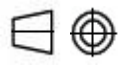


Model	Voltage(V)		No Load		Rated Load				Starting	
	Operating Range	Rated	Speed (rpm)	Current (A)	Torque (mNm)	Speed (rpm)	Current (A)	Output P. (W)	Torque (mNm)	Current (A)
EL56RBL85-01IE	85-265 ac	220 ac	5900	0.20	286.5	5000	0.60	150	1146	2.6
EL56RBL85-02IE	8-26	24 dc	3600	0.45	190	3000	3.84	60	613	10.0

Lead wire define	
1.Red	Motor"+"
2.Green	Speed signal output.
3.Yellow	CW/CCW control, No conect motor runing CW.connect motor"- " running CCW.
4.Black	Motor"- "
5.Blue	PWM speed control, If PWM wire conect motor" "- " motor running in full speed.
6.White	Brake: Input voltage range:0 V~5 V;High voltage,brake does not work(2.0 V Min or not connect);Low voltage,the motor is braked(0.8 V Max:)

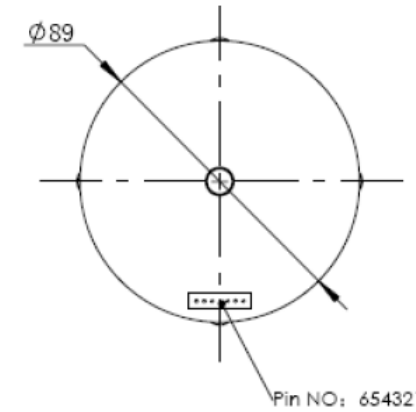
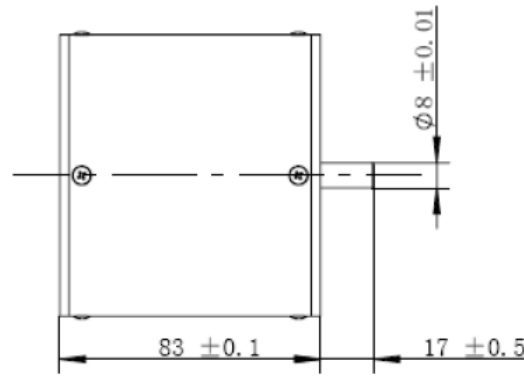
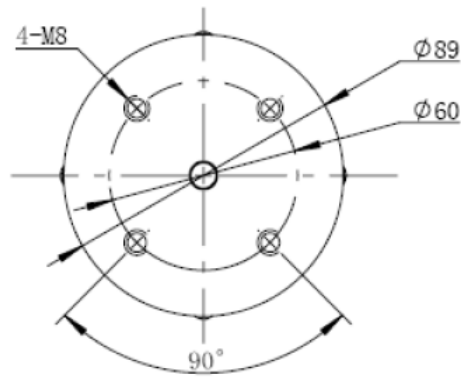
Notice:
The datas in this typical specification sheet are for other certain customers, the specific BLDC motor performance can be changed by adjusting winding, magnetic field, controller parameter and relevant mechanical factor to meet different customer requirement.

Project No.:	Part No.:	Material	REV
	EL56RBL85		A
Description:		Weight	Scale
DC Brushless Motor			
		Design:	
		Approve:	
ELMEQ www.elmeq.com			



This drawing and its contents are the property of ELMEQ and must not be copied, reproduced, transmitted or disclosed to any third party without written consent of ELMEQ.

Rev	Modify details	Modified by/date



Model	Voltage(V)		No Load		Rated Load			Stall		
	Operating Range	Rated	Speed (rpm)	Current (A)	Torque (mNm)	Speed (rpm)	Current (A)	Output P. (W)	Torque (mNm)	Current (A)
EL90RBL83-01IE	24-48	36	2840	0.75	413	2370	3.77	103	2492	19.0
EL90RBL83-02IE	24-48	36	3190	0.91	680	2220	6.14	158	2231	18.0

Lead wire define	
1.Red	Motor"+"
2.Green	Speed signal output.
3.Yellow	CW/CCW control, No connect motor ruing CW.connect motor"-." running CCW.
4.Black	Motor"-"
5.Blue	PWM speed control, If PWM wire conect motor"-" motor running in full speed.
6.White	Brake: Input voltage range:0 V~5 V;High voltage,brake does not work(2.0 V Min or not connect);Low voltage,the motor is braked(0.8 V Max.)

Notice:

The datas in this typical specification sheet are for other certain customers, the specific BLDC motor performance can be changed by adjusting winding, magnetic field, controller parameter and relevant mechanical factor to meet different customer requirement.

Project No.:	Part No.:	Material	REV
	EL90RBL83		A
Description:		Weight	Scale
DC Brushless Motor			
		Design:	
		Approve:	
ELMEQ www.elmeq.com			



This drawing and its contents are the property of ELMEQ and must not be copied, reproduced, transmitted or disclosed to any third party without written consent of ELMEQ.