

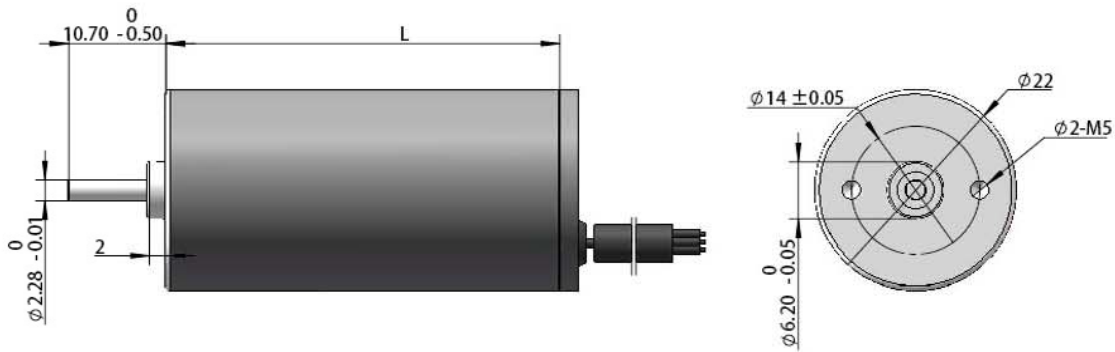
EL22BLR

► General technical information

Item	Specifications
Rotor type	Inner rotor
Feedback	Hall sensor
Number of poles	8
Number of phase	3
Winding type	STAR
Hall effect angle	120 degree electrical angle
Shaft run out	0.025mm
Radial play	0.02mm@450g
End play	0.08mm@450g
Max. radial force	10N@10mm from the flange
Max. axial force	2N
Insulation class	Class B
Dielectric strength	500VDC for one minute
Insulation resistance	100MΩMin., 500VDC



► Motor outside drawing



► Motor performance

Item	Part Number	Rated voltage [VDC]	Rated speed [RPM]	Rated torque [Nm]	Rated output power [W]	Peak torque [Nm]	Peak current [A]	Torque constant [Nm/A]	Rotor inertia [g.cm ²]	Weight [Kg]	Length [mm]
1	EL22BLR45-XXXXX	12	4600	0.008	3.9	0.021	1.1	0.0302	0.66	0.07	45
2	EL22BLR70-XXXXX	24	3500	0.022	8.1	0.05	1.5	0.0355	1.32	0.12	70