

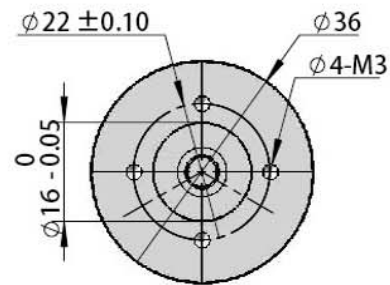
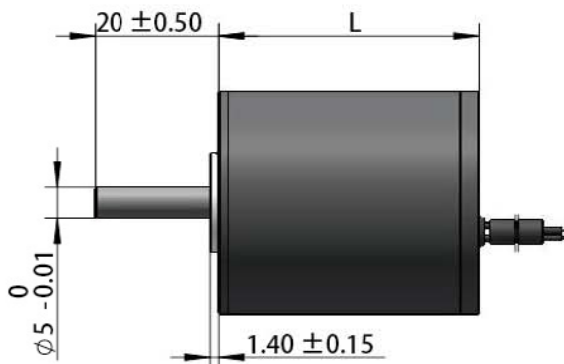
EL36BLR

► General technical information

Item	Specifications
Rotor type	Inner rotor
Feedback	Hall sensor
Number of poles	8
Number of phase	3
Winding type	STAR
Hall effect angle	120 degree electrical angle
Shaft run out	0.025mm
Radial play	0.06mm@450g
End play	0.08mm@450g
Max. radial force	15N@10mm from the flange
Max. axial force	10N
Insulation class	Class B
Dielectric strength	500VDC for one minute
Insulation resistance	100MΩMin., 500VDC



► Motor outside drawing



► Motor performance

Item	Part Number	Rated voltage [VDC]	Rated speed [RPM]	Rated torque [Nm]	Rated output power [W]	Weight [Kg]	Length [mm]
1	EL36BLR40-XXXXX	12	4000	0.012	4.9	0.15	40
2	EL36BLR40-XXXXX	24	5000	0.019	9.7	0.15	40
3	EL36BLR50-XXXXX	12	6000	0.012	7.4	0.18	50
4	EL36BLR50-XXXXX	24	6000	0.023	14.2	0.18	50
5	EL36BLR60-XXXXX	12	8000	0.024	19.7	0.22	60
6	EL36BLR60-XXXXX	24	8000	0.029	24.6	0.22	60