

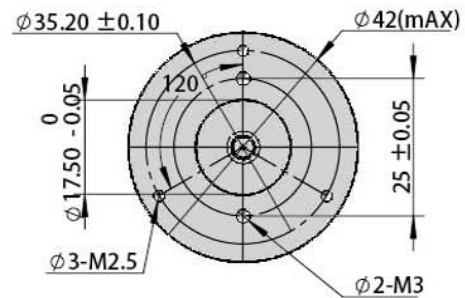
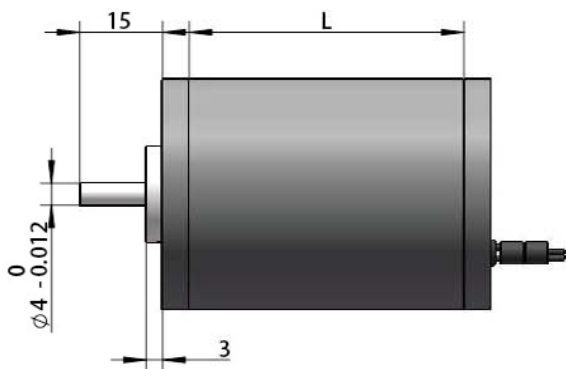
EL42BLR

► General technical information

Item	Specifications
Rotor type	Inner rotor
Feedback	Hall sensor
Number of poles	8
Number of phase	3
Winding type	STAR
Hall effect angle	120 degree electrical angle
Shaft run out	0.025mm
Radial play	0.02mm@450g
End play	0.08mm@450g
Max. radial force	15N@10mm from the flange
Max. axial force	10N
Insulation class	Class B
Dielectric strength	500VDC for one minute
Insulation resistance	100MΩMin., 500VDC



► Motor outside drawing



► Motor performance

Item	Part Number	Rated voltage [VDC]	Rated speed [RPM]	Rated torque [Nm]	Rated output power [W]	Peak torque [Nm]	Peak current [A]	Torque constant [Nm/A]	Rotor inertia [g.cm ²]	Weight [Kg]	Length [mm]
1	EL42BLR60-XXXXX	24	4000	0.08	33.5	0.24	5	0.0385	48	0.4	60
2	EL42BLR85-XXXXX	24	4000	0.15	62.8	0.45	12	0.036	65	0.6	85