

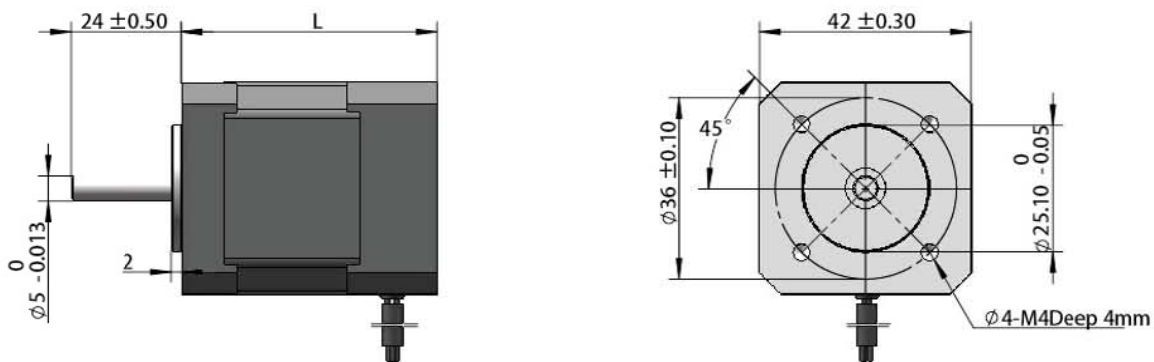
## EL42BLS01

### ► General technical information

Item	Specifications
Rotor type	Inner rotor
Feedback	Hall sensor
Number of poles	8
Number of phase	3
Winding type	DELTA
Hall effect angle	120 degree electrical angle
Shaft run out	0.025mm
Radial play	0.02mm@450g
End play	0.08mm@450g
Max. radial force	28N@20mm from the flange
Max. axial force	10N
Insulation class	Class B
Dielectric strength	500VDC for one minute
Insulation resistance	100MΩMin., 500VDC



### ► Motor outside drawing



### ► Motor performance

Item	Part Number	Rated voltage [VDC]	Rated speed [RPM]	Rated torque [Nm]	Rated output power [W]	Peak torque [Nm]	Peak current [A]	Torque constant [Nm/A]	Rotor inertia [g.cm <sup>2</sup> ]	Weight [Kg]	Length [mm]
1	EL42BLS41-XXXXX	24	4000	0.0625	26.2	0.19	5.4	0.035	24	0.3	41
2	EL42BLS61-XXXXX	24	4000	0.125	52.4	0.38	10.6	0.036	48	0.45	61
3	EL42BLS81-XXXXX	24	4000	0.185	77.5	0.56	15.5	0.036	72	0.65	81
4	EL42BLS100-XXXXX	24	4000	0.25	104.7	0.75	20	0.036	96	0.8	100