

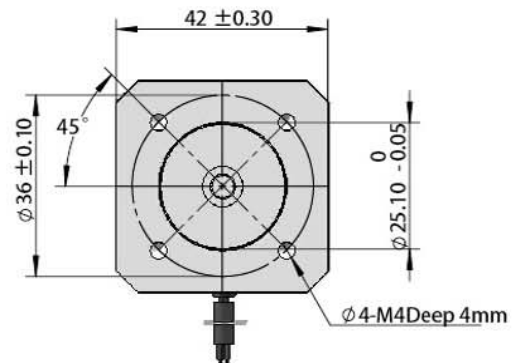
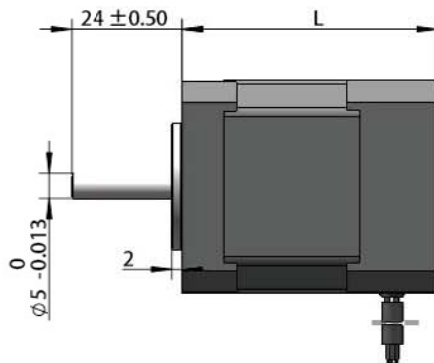
EL42BLS02

► General technical information

Item	Specifications
Rotor type	Inner rotor
Feedback	Hall sensor
Number of poles	10
Number of phase	3
Winding type	STAR
Hall effect angle	120 degree electrical angle
Shaft run out	0.025mm
Radial play	0.02mm@450g
End play	0.08mm@450g
Max. radial force	28N@20mm from the flange
Max. axial force	10N
Insulation class	Class B
Dielectric strength	500VDC for one minute
Insulation resistance	100MΩMin., 500VDC



► Motor outside drawing



► Motor performance

Item	Part Number	Rated voltage [VDC]	Rated speed [RPM]	Rated torque [Nm]	Rated output power [W]	Peak torque [Nm]	Peak current [A]	Torque constant [Nm/A]	Rotor inertia [g.cm ²]	Weight [Kg]	Length [mm]
1	EL42BLS40-XXXXX	24	3000	0.07	22.0	0.3	6.2	0.054	48	0.3	40.3
2	EL42BLS60-XXXXX	24	3000	0.16	50.3	0.65	11.8	0.054	101	0.45	60.3
3	EL42BLS80-XXXXX	24	3000	0.26	81.7	1.1	16.8	0.054	154	0.65	80.3
4	EL42BLS101-XXXXX	24	3000	0.36	113.1	1.44	25.6	0.054	207	0.8	100.3