

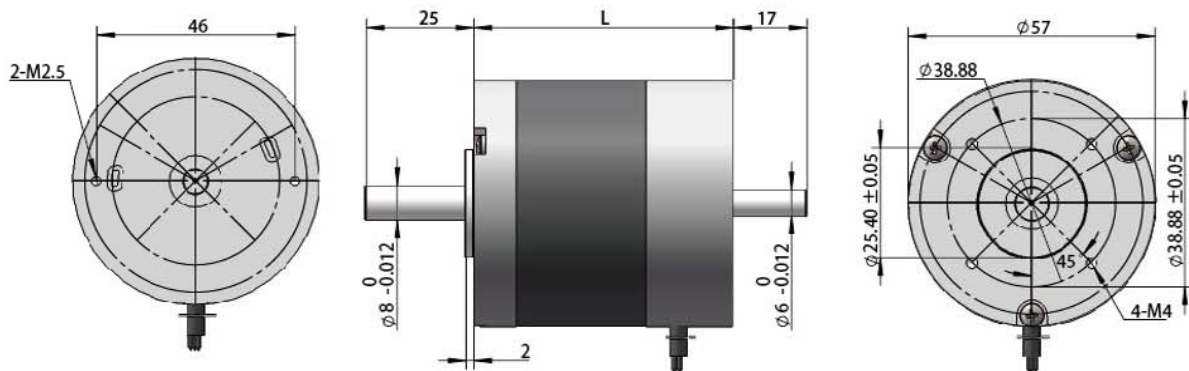
## EL57BLR

### ► General technical information

Item	Specifications
Rotor type	Inner rotor
Feedback	Hall sensor
Number of poles	4
Number of phase	3
Winding type	DELTA
Hall effect angle	120 degree electrical angle
Shaft run out	0.025mm
Radial play	0.025mm@460g
End play	0.025mm@4000g
Max. radial force	75N@20mm from the flange
Max. axial force	15N
Insulation class	Class B
Dielectric strength	500VDC for one minute
Insulation resistance	100MΩMin., 500VDC



### ► Motor outside drawing



### ► Motor performance

Item	Part Number	Rated voltage [VDC]	Rated speed [RPM]	Rated torque [Nm]	Rated output power [W]	Peak torque [Nm]	Peak current [A]	Torque constant [Nm/A]	Rotor inertia [g.cm <sup>2</sup> ]	Weight [Kg]	Length [mm]
1	EL57BLR59-XXXXX	36	1000	0.2	20.9	0.6	3.28	0.227	145	0.6	59
2	EL57BLR59-XXXXX	36	3000	0.2	62.8	0.6	9.84	0.058	145	0.6	59
3	EL57BLR80-XXXXX	36	1000	0.4	41.9	1.2	3.28	0.227	286	1	80
4	EL57BLR80-XXXXX	36	3000	0.4	125.7	1.2	9.84	0.058	286	1	80
5	EL57BLR101-XXXXX	36	1000	0.6	62.8	1.8	3.28	0.227	420	1.5	101
6	EL57BLR101-XXXXX	36	3000	0.6	188.5	1.8	9.84	0.058	420	1.5	101