

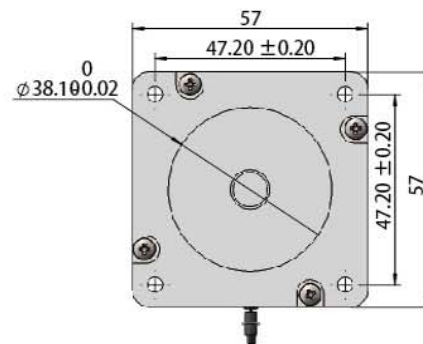
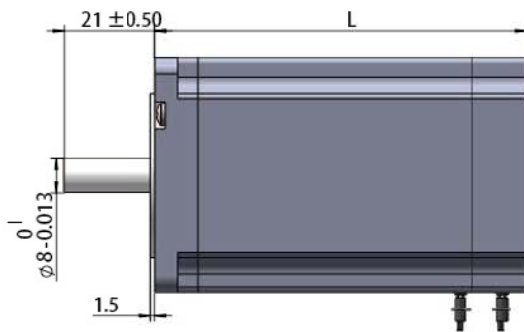
EL57BLS02

► General technical information

Item	Specifications
Rotor type	Inner rotor
Feedback	Hall sensor
Number of poles	8
Number of phase	3
Winding type	STAR
Hall effect angle	120 degree electrical angle
Shaft run out	0.025mm
Radial play	0.025mm@460g
End play	0.025mm@4000g
Max. radial force	75N@20mm from the flange
Max. axial force	15N
Insulation class	Class B
Dielectric strength	500VDC for one minute
Insulation resistance	100MΩMin., 500VDC



► Motor outside drawing



► Motor performance

Item	Part Number	Rated voltage [VDC]	Rated speed [RPM]	Rated torque [Nm]	Rated output power [W]	Peak torque [Nm]	Peak current [A]	Torque constant [Nm/A]	Rotor inertia [g.cm ²]	Weight [Kg]	Length [mm]
1	EL57BLR54-XXXXX	36	4000	0.22	92.1	0.6	9	0.065	75	0.5	54
2	EL57BLR74-XXXXX	36	4000	0.44	184.3	1.2	16	0.061	119	0.75	74