

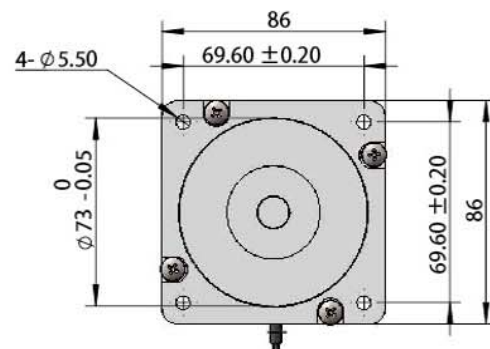
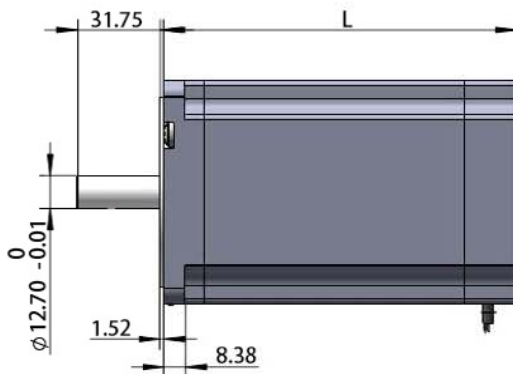
## EL86BLS

### ► General technical information

Item	Specifications
Rotor type	Inner rotor
Feedback	Hall sensor
Number of poles	8
Number of phase	3
Winding type	STAR
Hall effect angle	120 degree electrical angle
Shaft run out	0.05mm
Radial play	0.02mm@450g
End play	0.08mm@450g
Max. radial force	220N@20mm from the flange
Max. axial force	60N
Insulation class	Class B
Dielectric strength	500VDC for one minute
Insulation resistance	100MΩMin., 500VDC



### ► Motor outside drawing



### ► Motor performance

Item	Part Number	Rated voltage [VDC]	Rated speed [RPM]	Rated torque [Nm]	Rated output power [W]	Peak torque [Nm]	Peak current [A]	Torque constant [Nm/A]	Rotor inertia [g.cm <sup>2</sup> ]	Weight [Kg]	Length [mm]
1	EL86BLS58-XXXXX	48	3000	0.35	109.9	1.05	11	0.104	400	1.5	58
2	EL86BLS71-XXXXX	48	3000	0.7	219.9	2.1	19	0.11	800	1.85	71
3	EL86BLS98-XXXXX	48	3000	1.4	439.8	4.2	33	0.13	1600	2.6	98
4	EL86BLS125-XXXXX	48	3000	2.1	659.7	6.3	55	0.11	2400	4	125