

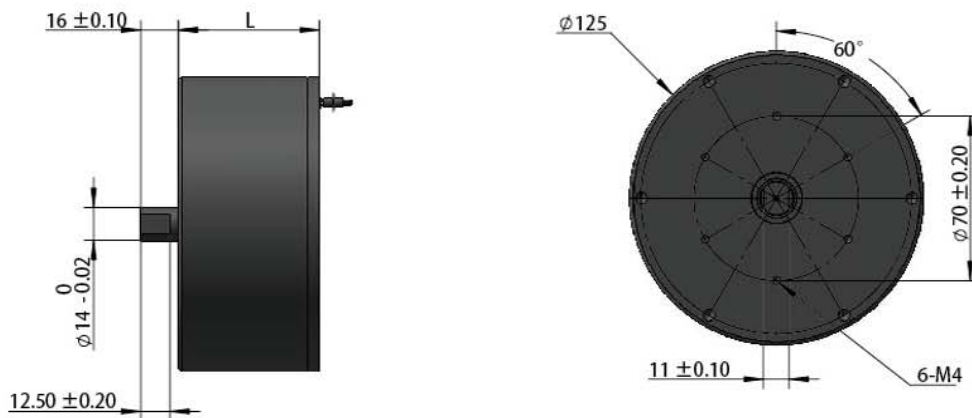
EL125BLS

► General technical information

Item	Specifications
Rotor type	Inner rotor
Feedback	Hall sensor
Number of poles	24
Number of phase	3
Winding type	DELTA
Hall effect angle	120 degree electrical angle
Shaft run out	0.025mm
Radial play	0.025mm@460g
End play	0.025mm@4000g
Max. radial force	115N@20mm from the flange
Max. axial force	45N
Insulation class	Class B/F
Dielectric strength	500VDC for one minute
Insulation resistance	100MΩMin., 500VDC



► Motor outside drawing



► Motor performance

Item	Part Number	Rated voltage [VDC]	Rated speed [RPM]	Rated torque [Nm]	Rated output power [W]	Peak torque [Nm]	Peak current [A]	Torque constant [Nm/A]	Rotor inertia [g.cm ²]	Weight [Kg]	Length [mm]
1	EL86BLS60-XXXXX	24	480	6.8	341.8	40	45	0.88	2100	29	60