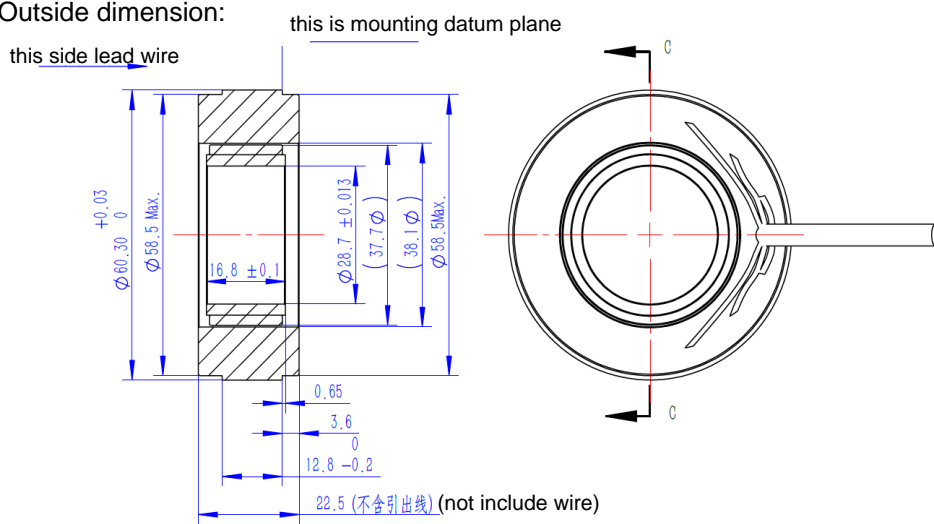


Outside dimension:



without tooling

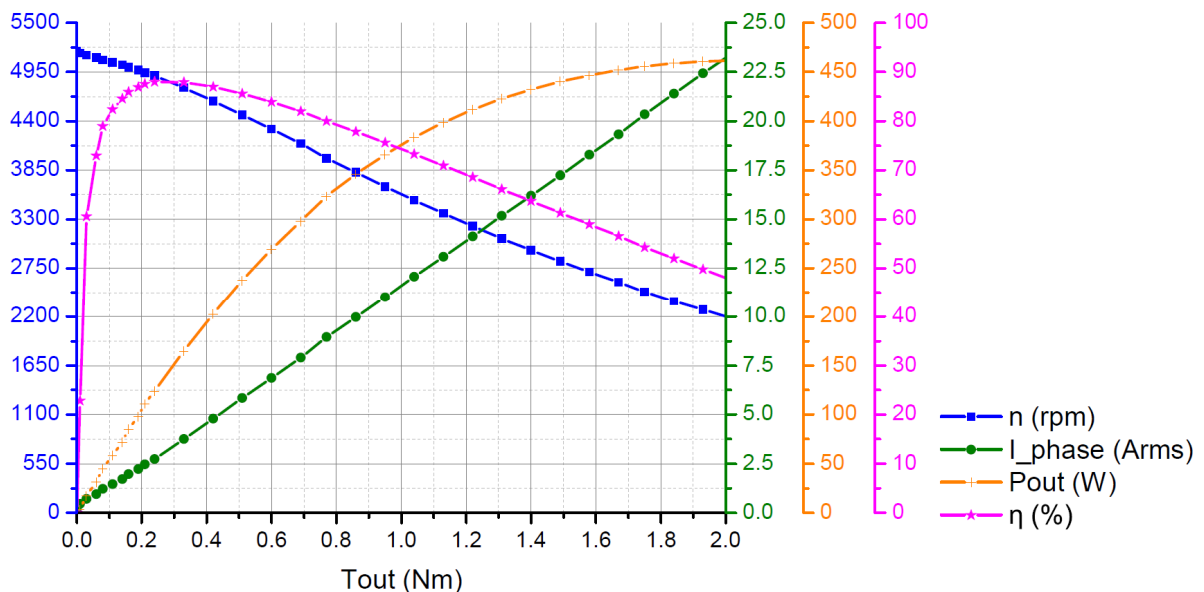


weight:238g

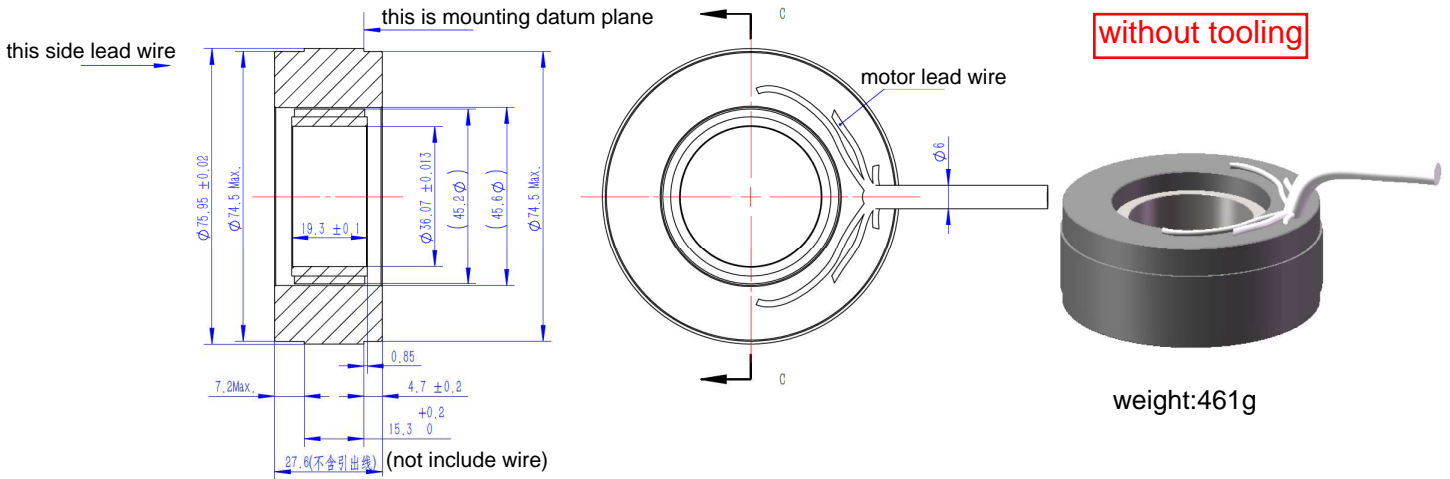
Motor Parameter

parameter name	unit	Value
driver supply voltage UDC	V	48
rated power P n	W	117
rated speed n n	rpm	4300
rated frequency f n	Hz	430
rated torque T n	Nm	0.26
rated current I n	Arms	2.82
sinus commutation drive no load speed n 0	rpm	5200
instant max torque T m	Nm	2.0
instant max current I m	Arms	23.3
line back EMF constant coefficient K e	Vrms/krpm	6.20
torque coefficient K t	Nm/Arms	0.092
line resistance R 1	mΩ @20°C	504
line inductance L 1	mH@1kHz	0.68
insulation class:		B (155C 线)
position feedback device:		none

Comprehensive feature curve(calculated based on real test motor, detail feature need test combine with customer's dirve)



Outside dimension:

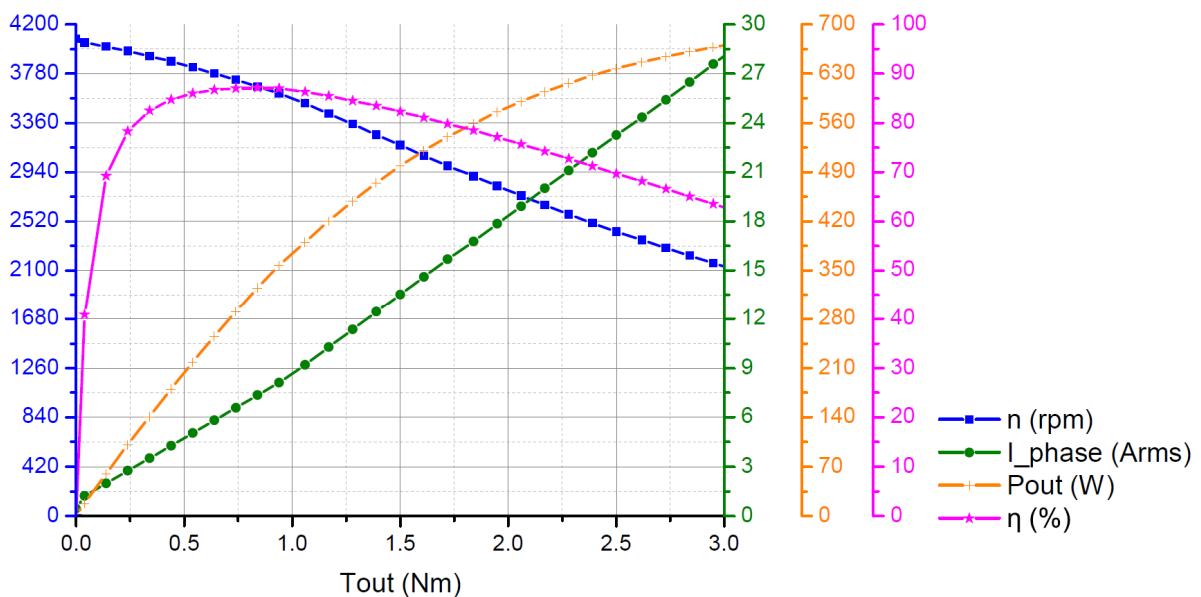


if with wire not exceed 29.5

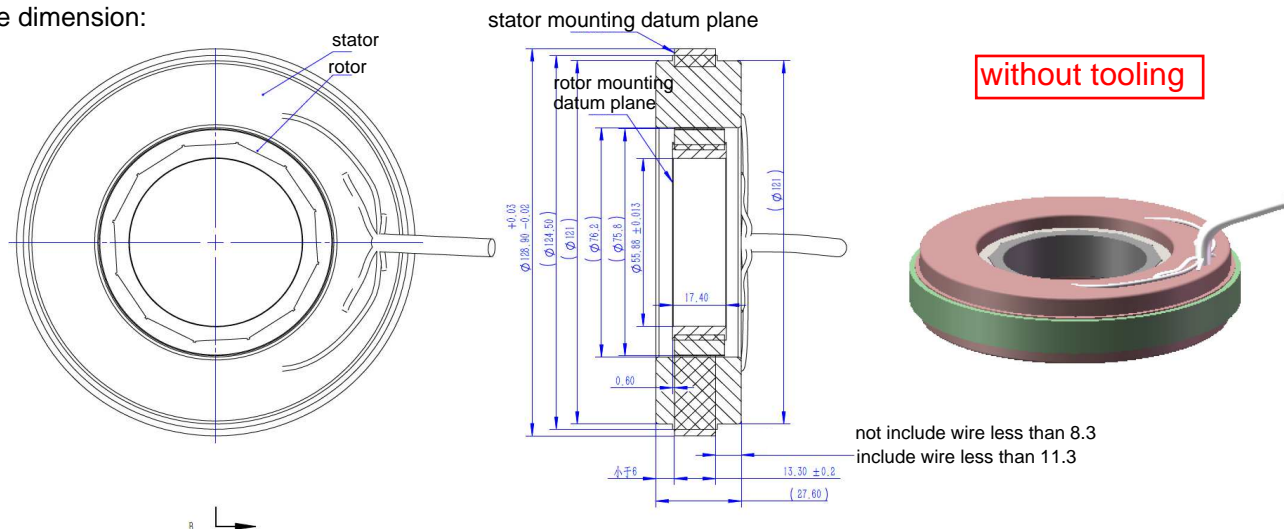
Motor Parameter

parameter name	unit	Value
driver supply voltage UDC	V	48
rated power P n	W	280
rated speed n n	rpm	3500
rated frequency f n	Hz	350
rated torque T n	Nm	0.764
rated current I n	Arms	6.53
sinus commutation drive no load speed n 0	rpm	4100
instant max torque T m	Nm	3.0
instant max current I m	Arms	28.9
line back EMF constant coefficient K e	Vrms/krpm	7.86
torque coefficient K t	Nm/Arms	0.117
line resistance R 1	m Ω @20 $^{\circ}$ C	270
line inductance L 1	mH@1kHz	0.617
insulation class:		B (155C 线)
position feedback device:		none

Comprehensive feature curve(calculated based on real test motor, detail feature need test combine with customer's drive)

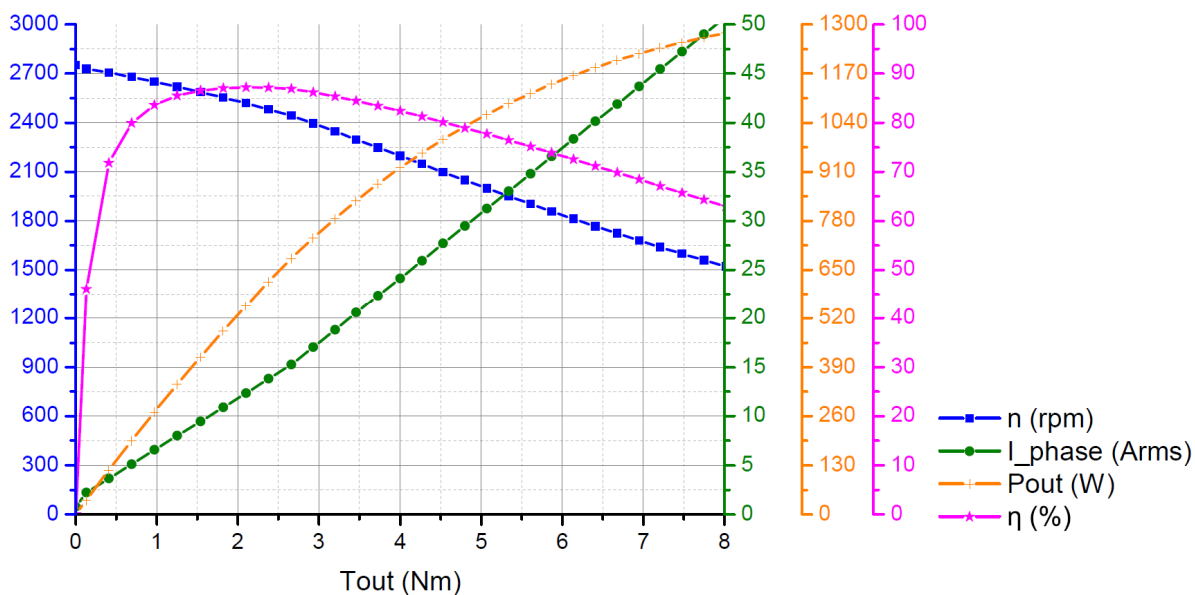


Outside dimension:



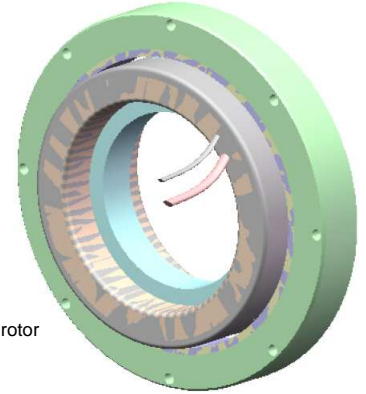
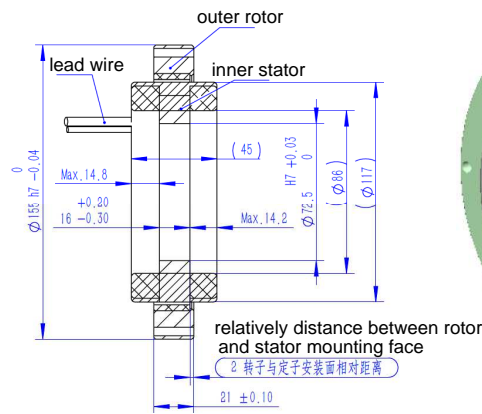
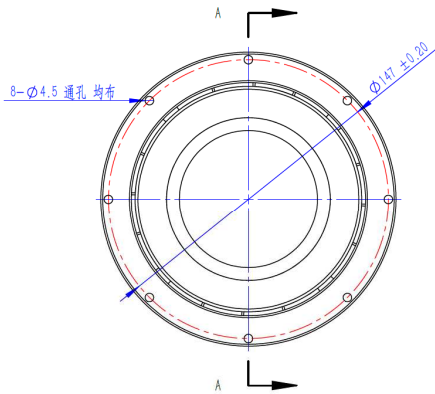
Motor Parameter	parameter name	unit	Value
	driver supply voltage UDC	V	48
	rated power P _n	W	700
	rated speed n _n	rpm	2400
	rated frequency f _n	Hz	240
	rated torque T _n	Nm	2.8
	rated current I _n	Arms	16.2
	sinus commutation drive no load speed n ₀	rpm	2760
	instant max torque T _m	Nm	8.0
	instant max current I _m	Arms	50.0
	line back EMF constant coefficient K _e	V _{rms} /krpm	11.65
	torque coefficient K _t	Nm/Arms	0.173
	line resistance R ₁	m Ω @20°C	156
	line inductance L ₁	mH@1kHz	0.452
	insulation class:		B (155C 线)
	position feedback device:		none

Comprehensive feature curve(calculated based on real test motor, detail feature need test combine with customer's drive)



Outside dimension:

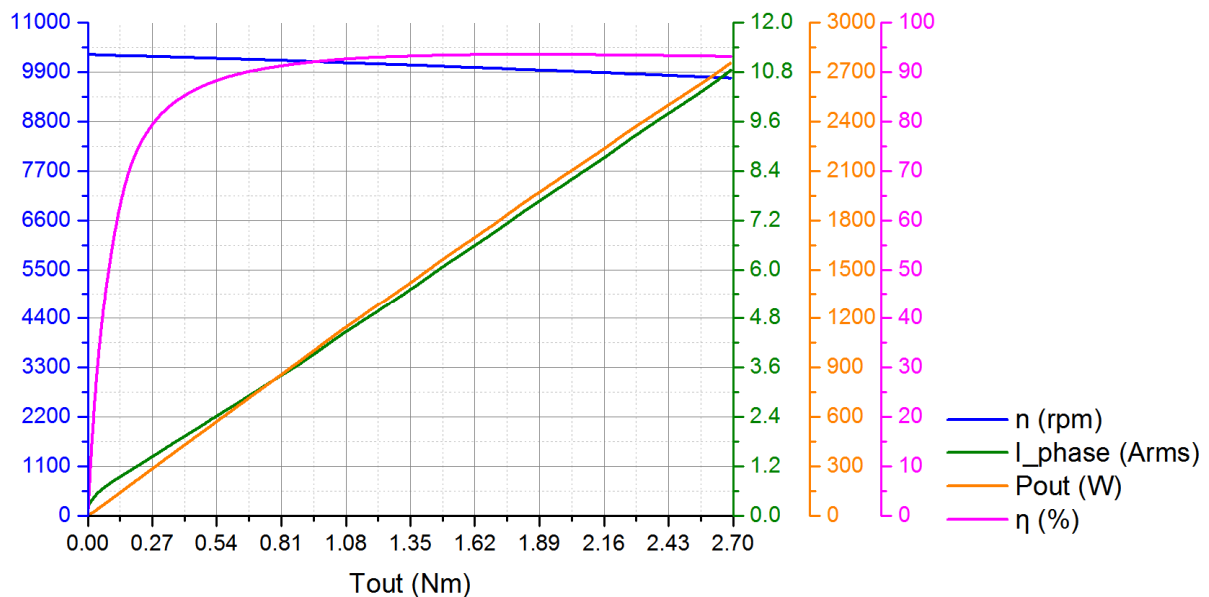
without tooling



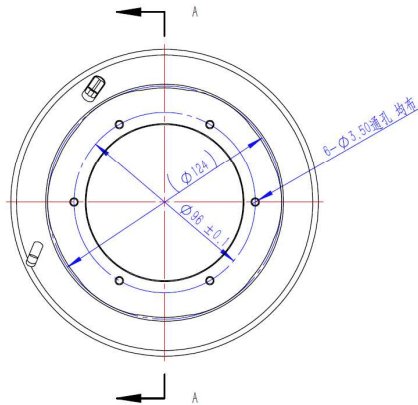
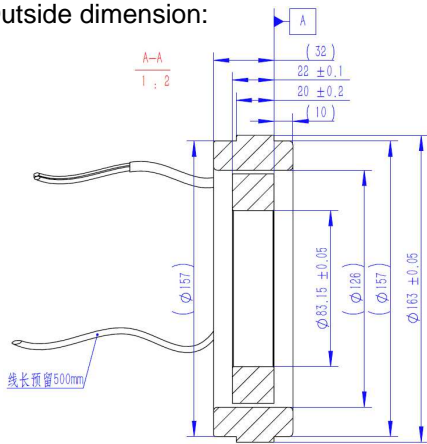
Motor Parameter

parameter name	unit	Value
driver supply voltage UDC	V	310
rated power P n	W	1880
rated speed n n	rpm	9000
rated frequency f n	Hz	300
rated torque T n	Nm	2
rated current I n	Arms	7.7
sinus commutation drive no load speed n 0	rpm	9980
instant max torque T m	Nm	6.0
instant max current I m	Arms	25.7
line back EMF constant coefficient K e	Vrms/krpm	16.56
torque coefficient K t	Nm/Arms	0.26
line resistance R 1	Ω @20°C	0.646
line inductance L 1	mH@1kHz	1.24
insulation class:		F (155C 线)
position feedback device:		3 hall sensor(120 degree)

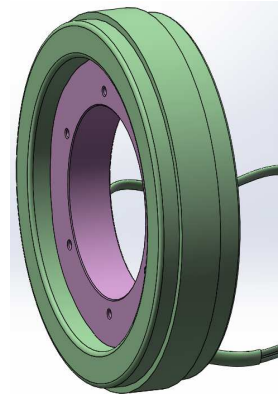
Comprehensive feature curve(calculated based on real test motor, detail feature need test combine with customer's drive)



Outside dimension:



without tooling



Motor Parameter

parameter name	unit	Value
driver supply voltage UDC	V	310
rated power P n	W	1257
rated speed n n	rpm	6000
rated frequency f n	Hz	300
rated torque T n	Nm	2
rated current I n	Arms	4.76
sinus commutation drive no load speed n 0	rpm	7770
instant max torque T m	Nm	6.0
instant max current I m	Arms	14.78
line back EMF constant coefficient K e	Vrms/krpm	28.09
torque coefficient K t	Nm/Arms	0.42
line resistance R 1	Ω @20°C	1.28
line inductance L 1	mH@1kHz	7.25
insulation class:		F (155C 线)
position feedback device:		3 hall sensor(120 degree)

Comprehensive feature curve(calculated based on real test motor, detail feature need test combine with customer's drive)

